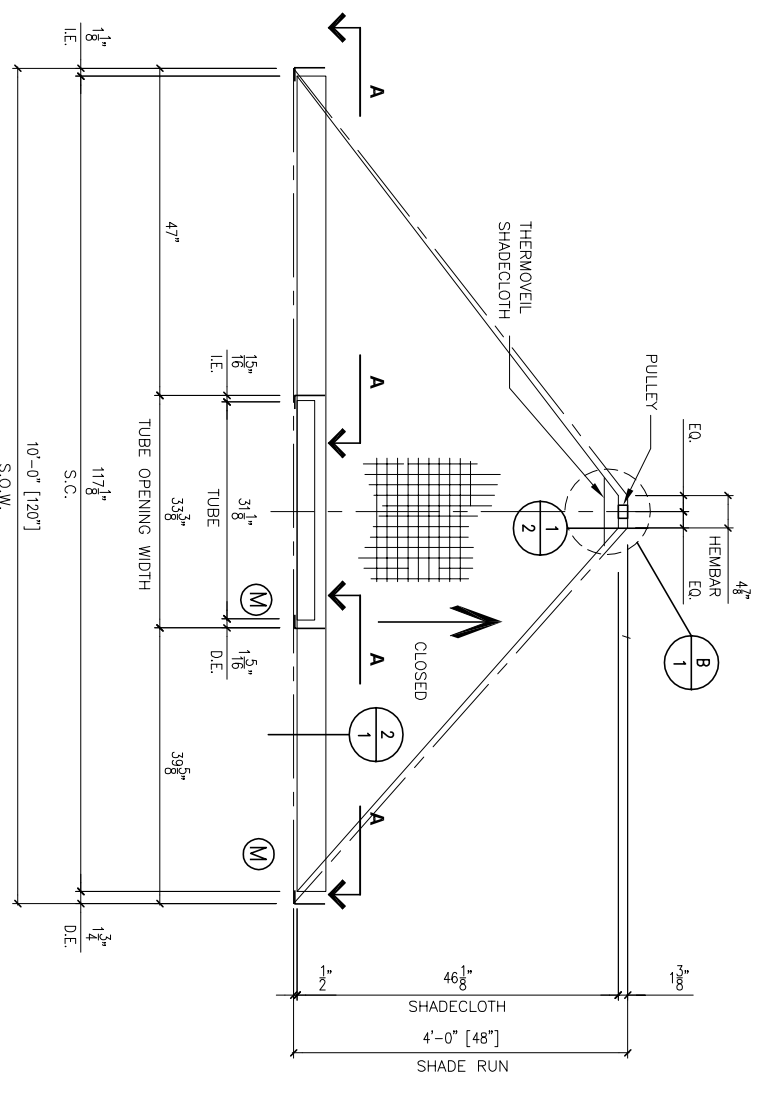
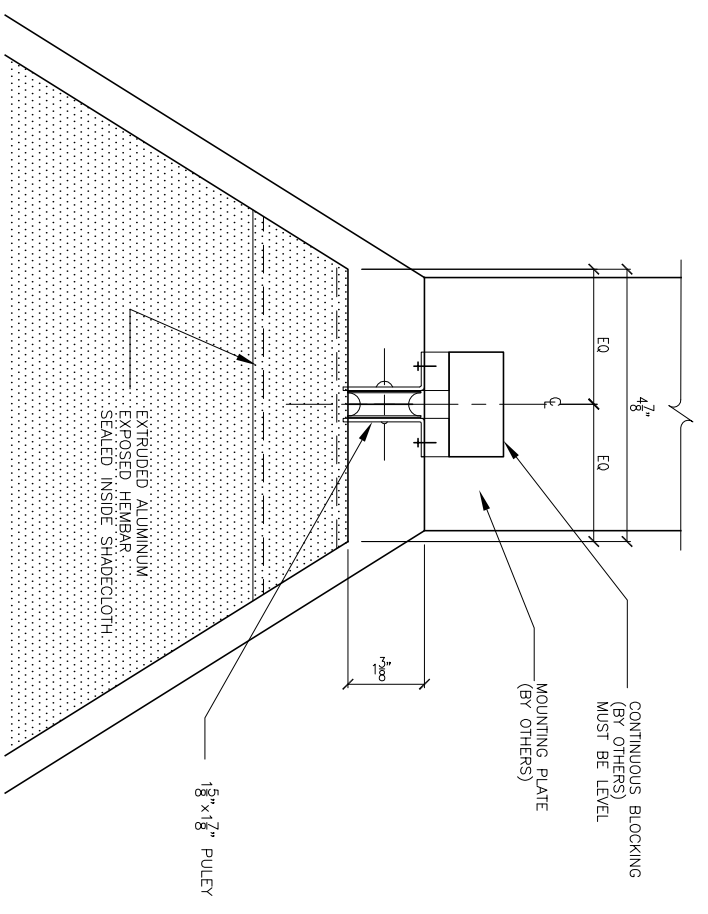


**1**  
TYPICAL SECTION  
SCALE: 1/2 FULL SIZE



**A**  
INTERIOR ELEVATION  
SCALE: 3/4"=1'-0"



**B**  
ELEVATION  
SCALE: 1/2 FULL SIZE