

ElectroPocket™

Easier, faster, more economical way to install motorized shades





Mecho's patented, innovative ElectroPocket significantly reduces installation time and expense due to minimal electrician time required.

ElectroPocket is the industry's first ETL/UL certified pocket mounting solution for motorized roller shades and is ideal for new or renovation projects because its design eliminates the need for extensive wiring.

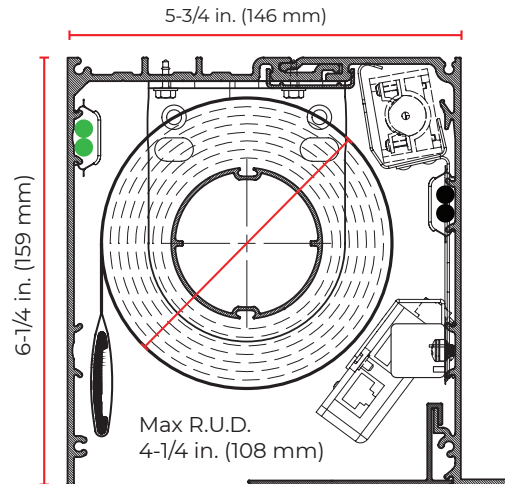
In addition to housing the roller shade, ElectroPocket provides a certified wiring raceway with optional accessory clips to secure all wiring safely away from a shade's moving parts. Our unique, proprietary design uses standard wire and cable instead of more expensive metal clad or conduit wiring to reduce maintenance and installation costs. Because ElectroPocket is pre-wired, it can be motorized later making it the perfect solution for tenant fit-outs in multi-family or mixed-use facilities.

Features

- Reduced wiring and electrical installation costs
- Easier installation in retro-fit and renovation applications
- Modular wiring kits with standard connectors –comparable to office cubicle wall wiring and installation
- Sections clip together at jobsite
- Standard 10.5' sections nest for easier handling, jobsite transportation and lower shipping costs
- Modular design promotes upgrades in motorization and automation as requirements change
- Guides for easy bracket placement, shade installation, programming, and servicing

-  low voltage
-  line voltage

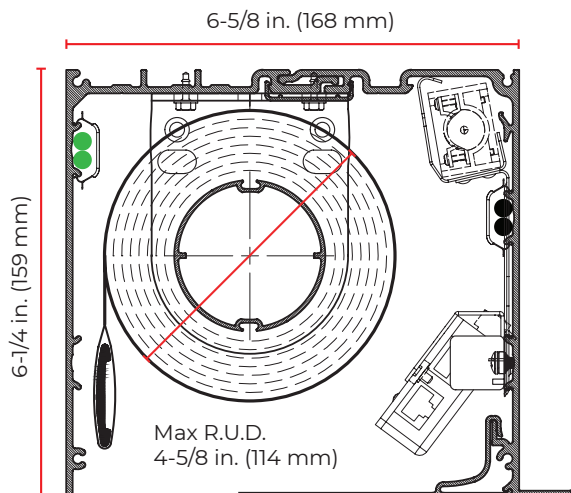
ElectroPocket 4155 with tile support (4156 = no tile support)



Models 4155 and 4156 support

- Electro®/1, Electro/2 DC, Electro/3, and Electro/3 Extended bracket systems.
- Optional 2-, 3-, and 4-in. closure mounts.*

ElectroPocket 4165 with tile support (4166 = no tile support)



Models 4165 and 4166 support

- Electro/1, Electro/2 DC, Electro/3, Electro/3 Extended, and Electro/SL bracket systems.
- Optional 2-, 3-, 4-, and 5-in. closure mounts.*

*The 2-, 3-, and 5-in. closures, only available in 15-ft. lengths.



ElectroPocket™

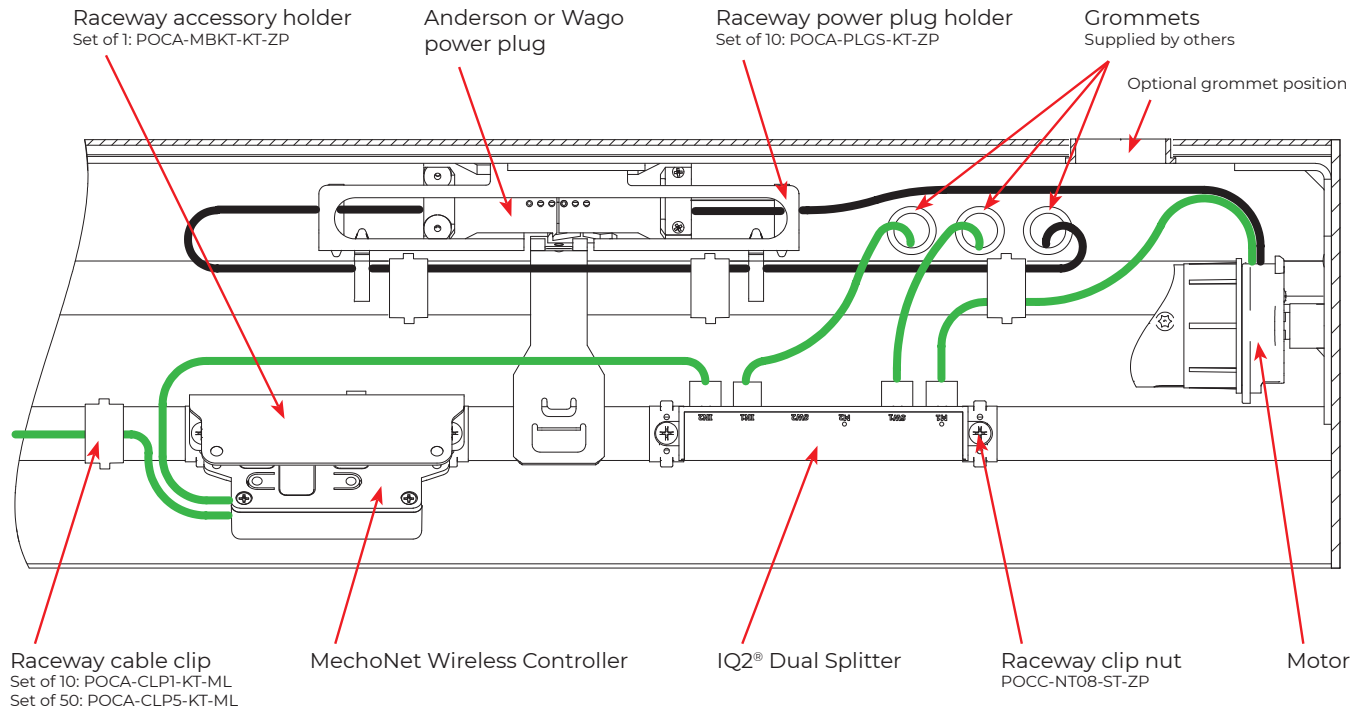
Easier, faster, more economical way to install motorized shades



ElectroPocket components kits

Conversion kit for 1 full length
Set of 1: POCA-CNVE-KT-ZP

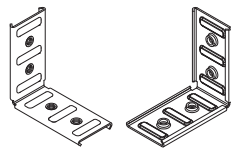
■ low voltage
■ line voltage



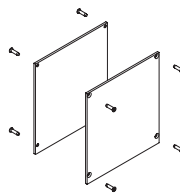
Also available



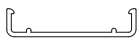
Straight joint
Part no. POCX-CJNT-ST-ZP



Corner Joint Kit
Set of 10: POCO-JNT1-KT-ZP



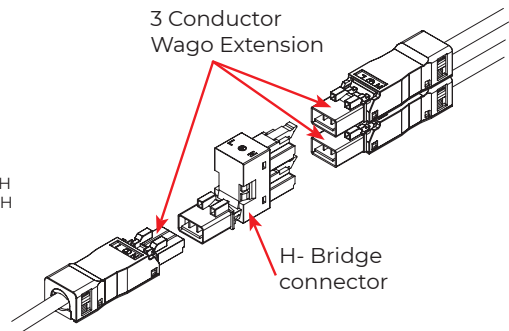
End Cap Kits
5-3/4 in. x 6-1/4 in.: POC5-ECAP-KT-WH
6-5/8 in. x 6-1/4 in.: POC5-ECAP-KT-WH



Pocket connecting clip
Set of 4: POCA-LNK4-KT-ML
Set of 50: POCA-LN50-KT-ML



Wire conduit clip
Set of 10: POCA-WIR1-KT-ML



120VAC Modular Cabling Accessories
H-Bridge Connector: WAGO-HY03-FE-WH
Wago 5 ft extension: WAGO-0305-EX-WH
Wago 10ft extension: WAGO-0310-EX-WH
Wago 1 ft extension: WAGO-0301-EX-WH



(718) 729-2020
mechoshade.com