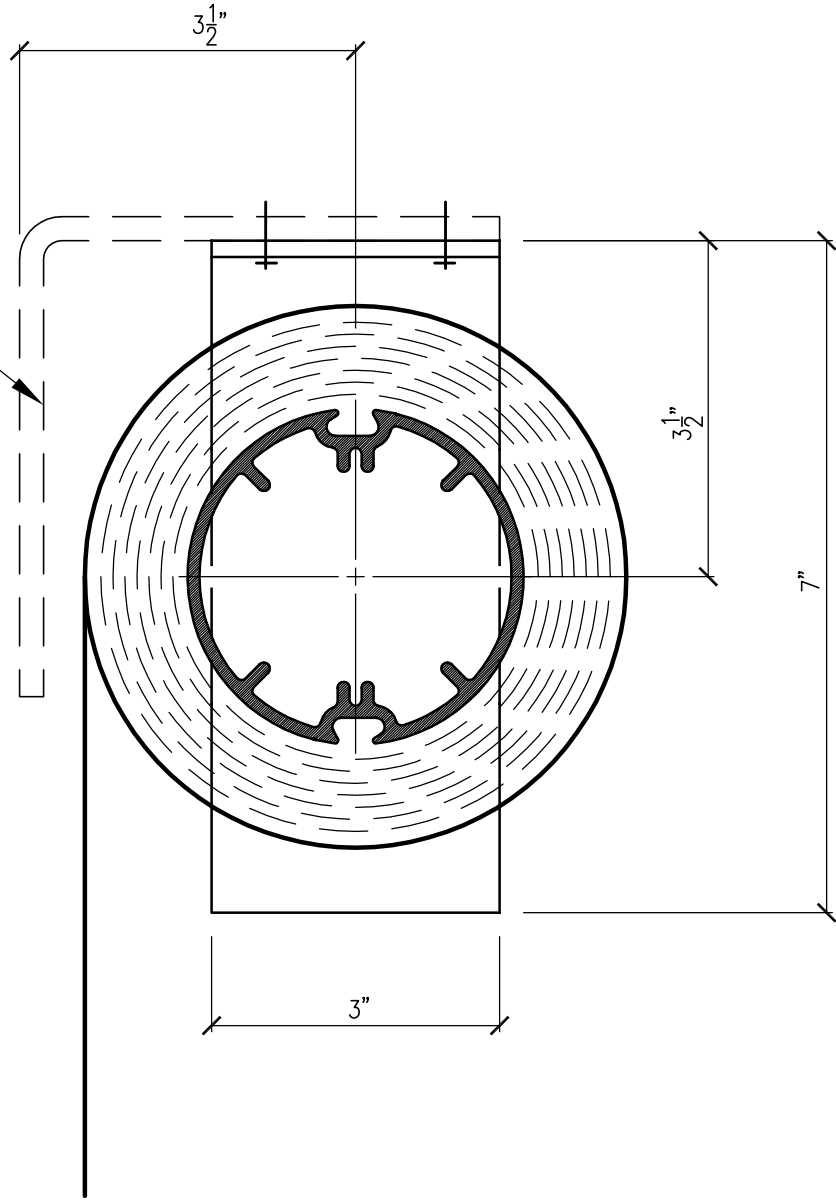


OPTIONAL  
WALL MOUNT  
ANGLE



**MechoShade Systems, Inc.**  
42-03 35th Street  
Long Island City, NY 11101  
Tel: 718-729-2020  
Fax: 718-729-2941

JOB		1			
TITLE		REV	DATE	BY	DESCRIPTION
ARCHITECT		DATE		JOB No.	
DEALER		SCALE		PROPOSAL No.	
DWN. BY		SHEET No.	OF	DWG No.	