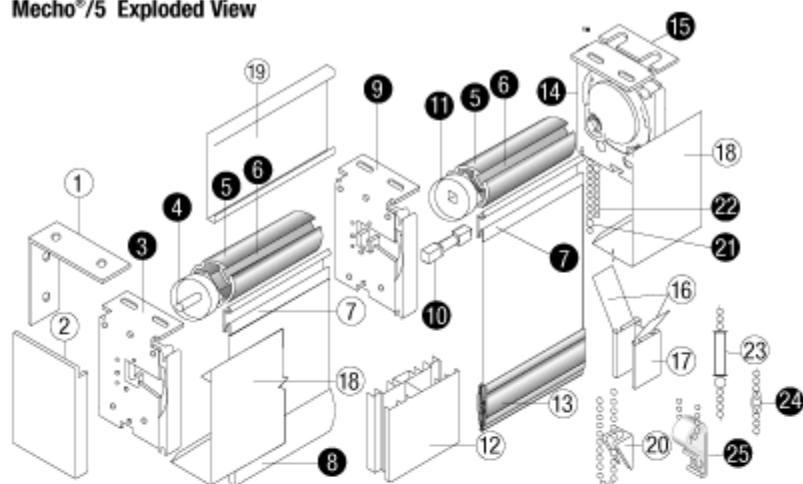


Mecho®/5 Exploded View



Standard # Optional

- | | |
|--|--|
| 1. Wall-Mount Angle | 15. Leveling Shim |
| 2. Fascia End Caps | 16. Room Darkening Shadecloth Guides (pair) |
| 3. Idle-End Bracket | 17. Room Darkening Side Channel (single) |
| 4. Tube Plug (idle-end) | 18. SnapLoc® Regular-Roll Fascia |
| 5. SnapLoc® Tube | 19. SnapLoc® Reverse-Roll Fascia |
| 6. SnapLoc® Spline Mounting Channel | 20. Bead Chain Keeper |
| 7. Snaploc® Spline | 21. Upper and Lower Bead Chain Stops |
| 8. Hembar (standard cloth covered) | 22. Drive Chain (stainless-steel bead chain) |
| 9. Center Support Bracket | 23. Heavy-Duty Bumper |
| 10. Tube Connector ("dog bone") | 24. Bead Chain Connector |
| 11. Tube Plug (Center Support) | 25. Child-Safe Chain Retainer* |
| 12. Room Darkening Center Channel (double) | |
| 13. Exposed Hembar with Light Seal | |
| 14. Mecho®/5 Drive-End Bracket | |