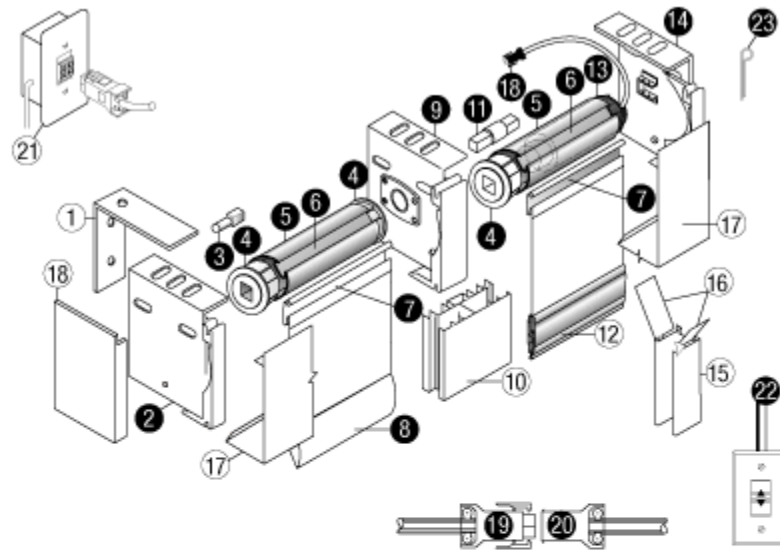


## ElectroShade® Exploded View



**# Standard**      **# Optional**

- |                                     |                                       |
|-------------------------------------|---------------------------------------|
| 1. Wall-Mount Angle                 | 13. Tubular Motor                     |
| 2. Idle-End Bracket                 | 14. Drive-End Bracket                 |
| 3. Idle-End Pin                     | 15. Room Darkening Side Channel       |
| 4. Tube Plug                        | 16. Room Darkening Shadecloth Guides  |
| 5. SnapLoc® Tube                    | 17. SnapLoc® Regular-Roll Fascia      |
| 6. SnapLoc® Spline Mounting Channel | 18. Fascia End Caps                   |
| 7. SnapLoc® Spline                  | 19. Motor Lead with Disconnect Plug   |
| 8. Hembar                           | 20. J-Box Lead with Disconnect Plug   |
| 9. Center Support Bracket           | 21. Optional Plug-in Receptacle       |
| 10. Room Darkening Center Channel   | 22. Low Voltage Control Systems       |
| 11. Tube Connector                  | 23. Cotter Pin to hold motor in place |
| 12. Exposed Hemtube with Light Seal |                                       |