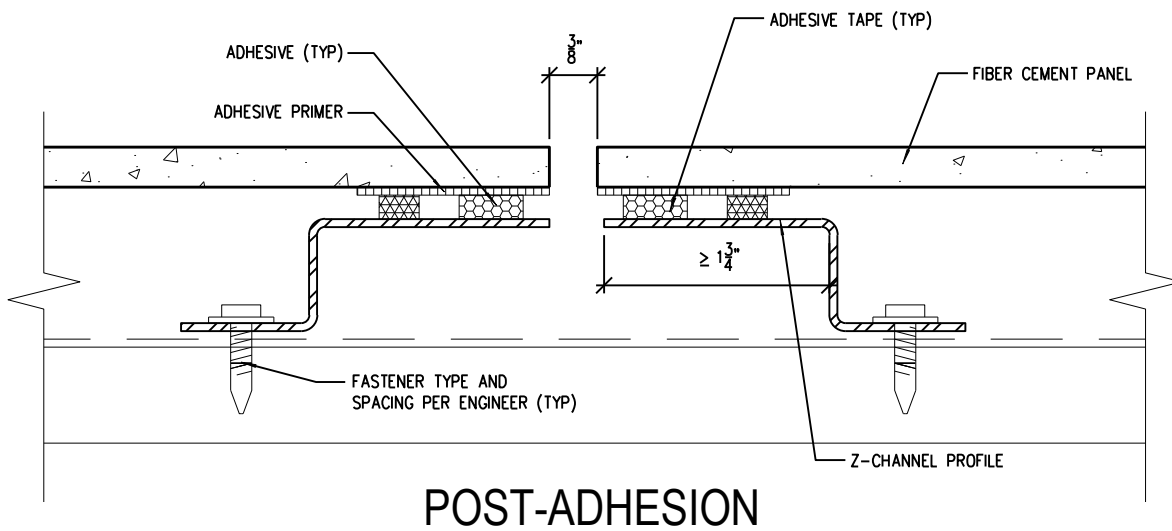
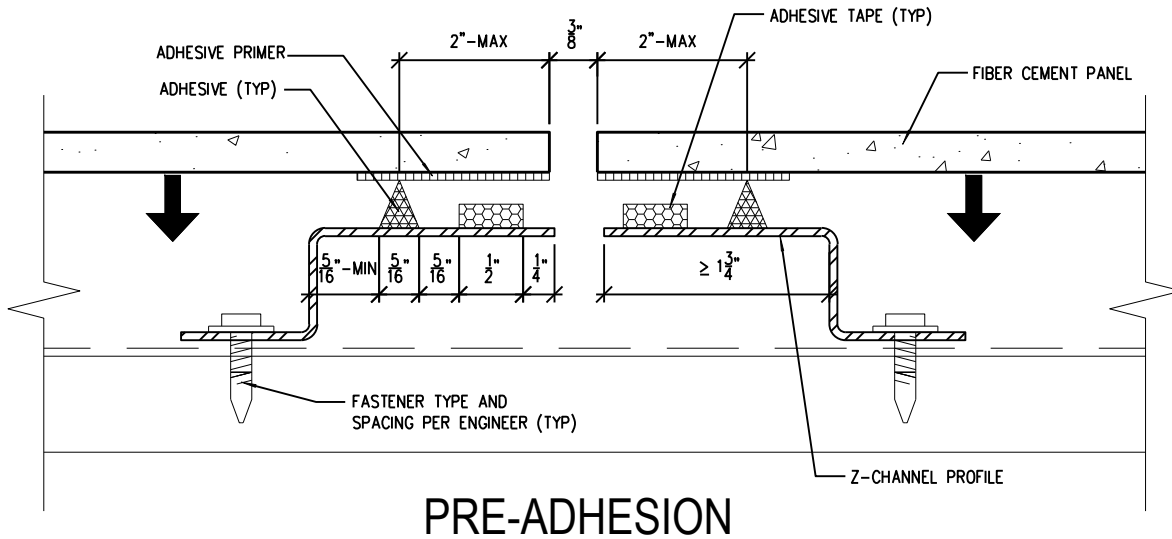


GENERAL NOTES:

1. WIDTH OF SUPPORTING PROFILE, TO WHICH BONDING SYSTEM WILL BE APPLIED, MUST BE A MINIMUM OF 1 3/4".
2. JOINT IN ALUMINUM MUST ALWAYS COINCIDE WITH JOINT IN FIBER CEMENT CLADDING.
3. MAX SPACING OF ϕ TO ϕ OF VERTICAL Z-CHANNEL SHALL BE DETERMINED BASED ON WIND LOAD.
4. SUBSTRATE SHALL BE 12GA MILL FINISH ALUMINUM, 12GA ANODIZED ALUMINUM, OR 16GA G90 UNPAINTED GALVANIZED STEEL.



Concealed Fastening with Adhesive

EASTERN ARCHITECTURAL PRODUCTS, LLC.



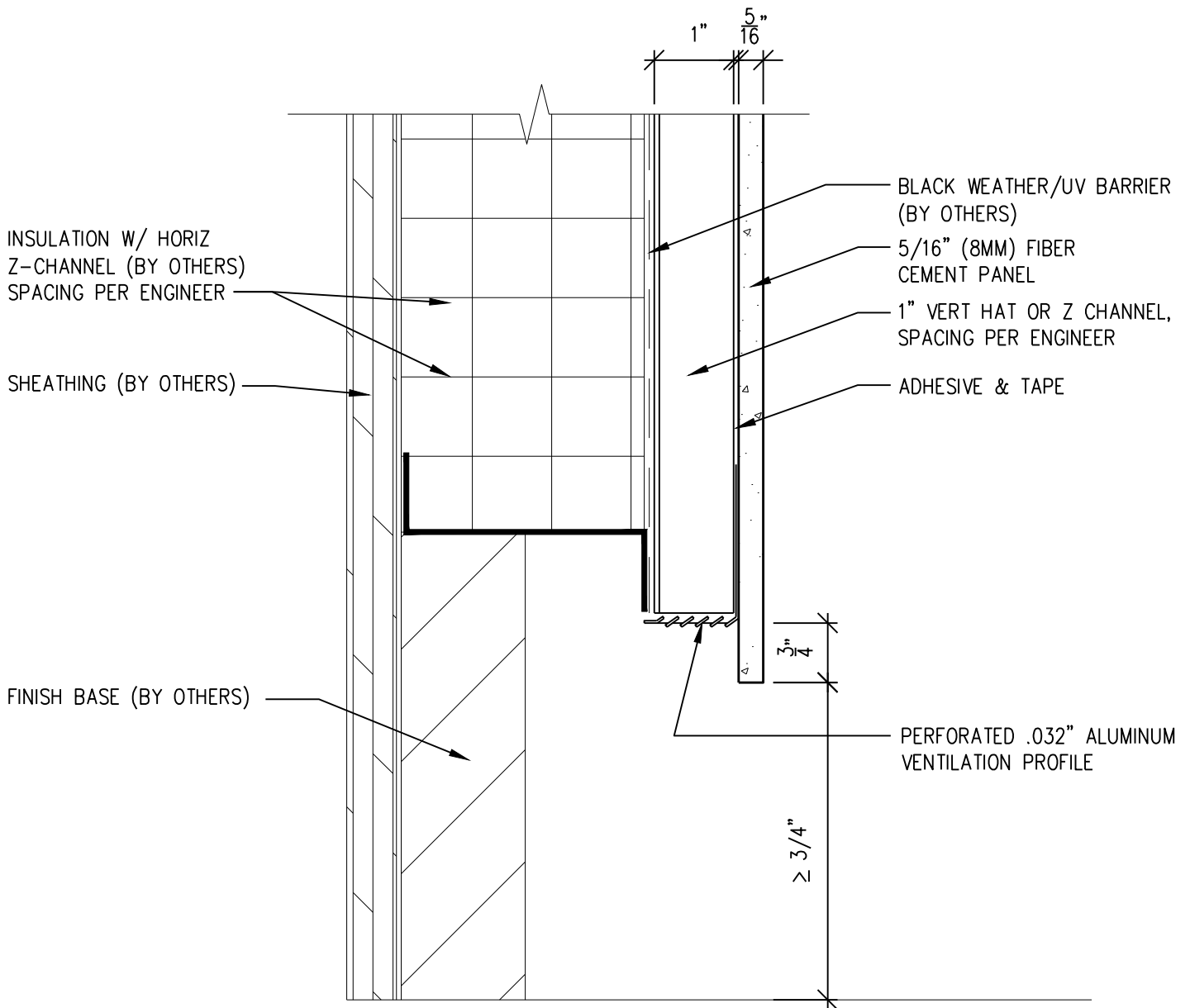
213 Front Street - Zelienople, PA - 16063
1-(888) 5-PANELS FAX: 1-(717) 939-4646
www.fibercementproducts.com

Ref.:

Adhesive Component
Details

Date: 11/03/2014 revised

Concealed Fastening with Adhesive



NOTES:

1. PANEL VERTICAL AND HORIZONTAL JOINT SPACING SHOULD BE 3/8" TYPICAL.
2. SUBSTRATE TO BE 16ga G90 GALVANIZED STEEL (MAX LENGTH 12') OR 12ga 6063 T5/T6 MILL FINISH OR ANODIZED ALUMINUM (MAX LENGTH 10').
3. SUBSTRATE SURFACE TO RECEIVE ADHESIVE MUST NOT BE PAINTED.



SCALE: 6"=1'-0"

EASTERN ARCHITECTURAL PRODUCTS, LLC.



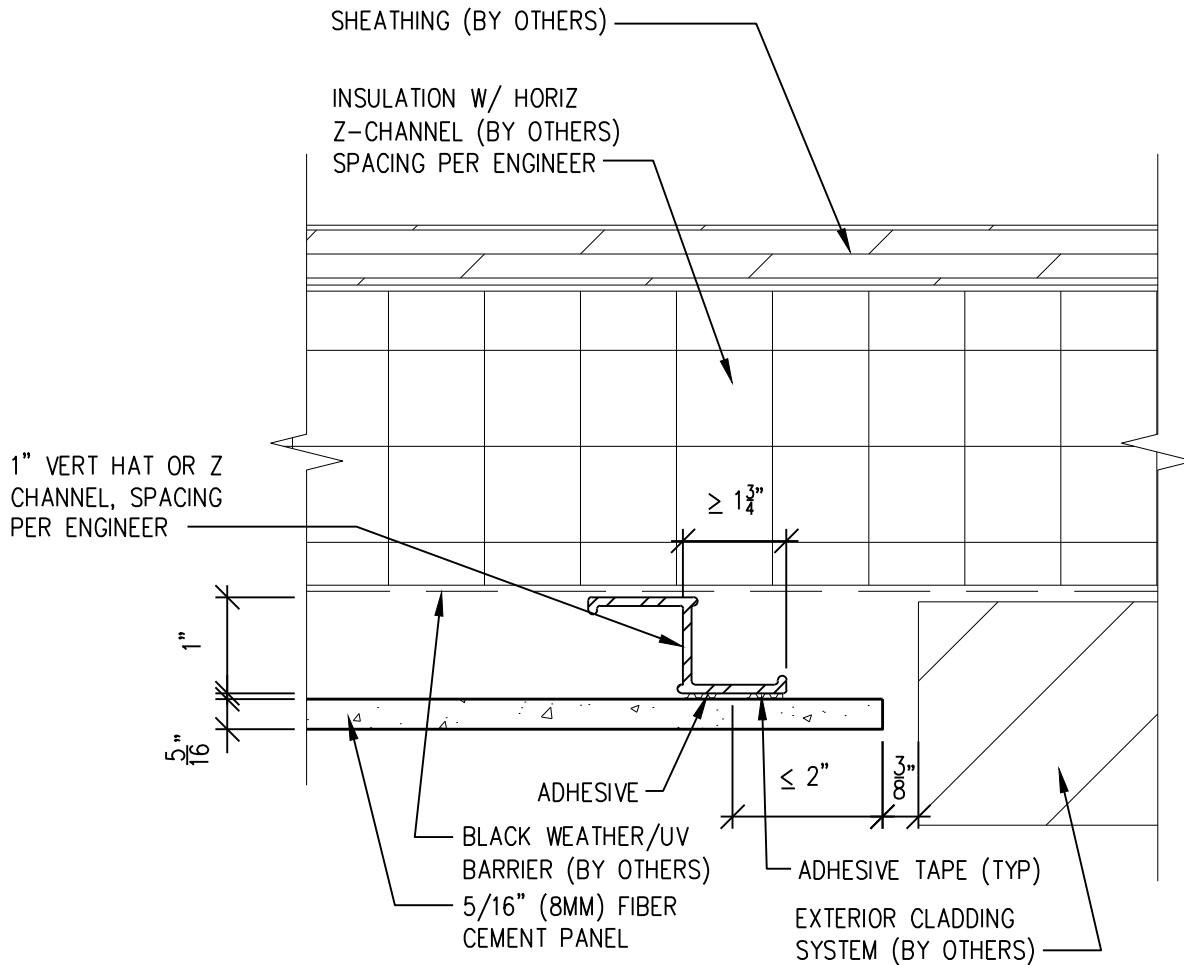
213 Front Street - Zelienople, PA - 16063
 1-(888) 5-PANELS FAX: 1-(717) 939-4646
 www.fibercementproducts.com

Ref.:

Typical Panel
 Base Detail

Date: 11/03/2014 revised

Concealed Fastening with Adhesive



NOTES:

1. PANEL VERTICAL AND HORIZONTAL JOINT SPACING SHOULD BE 3/8" TYPICAL.
2. SUBSTRATE TO BE 16ga G90 GALVANIZED STEEL (MAX LENGTH 12') OR 12ga 6063 T5/T6 MILL FINISH OR ANODIZED ALUMINUM (MAX LENGTH 10').
3. SUBSTRATE SURFACE TO RECEIVE ADHESIVE MUST NOT BE PAINTED.



SCALE: 6"=1'-0"

EASTERN ARCHITECTURAL PRODUCTS, LLC.



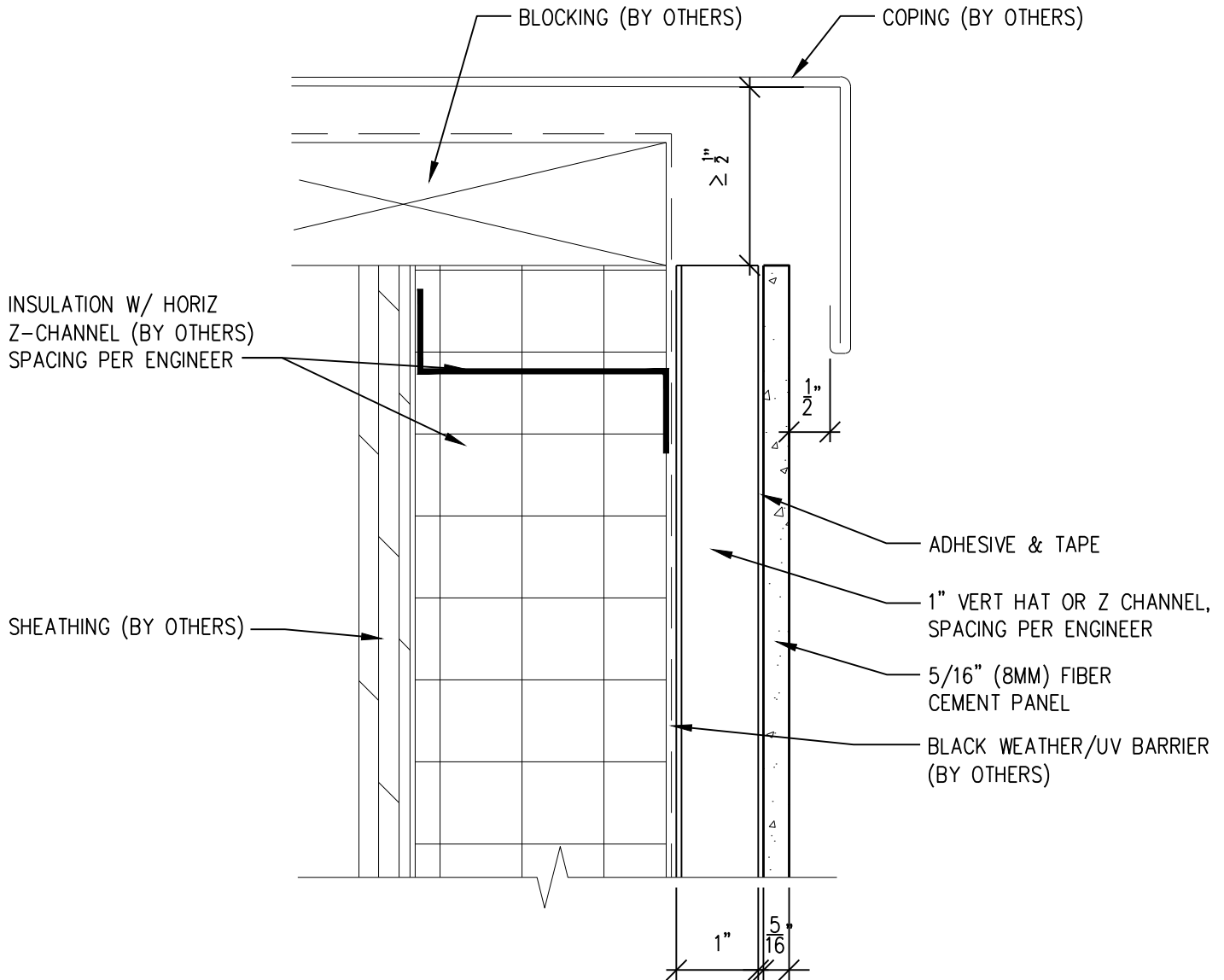
213 Front Street - Zelienople, PA - 16063
 1-(888) 5-PANELS FAX: 1-(717) 939-4646
 www.fibercementproducts.com

Ref.:

Typical Butt
 Joint Detail

Date: 11/03/2014 revised

Concealed Fastening with Adhesive



NOTES:

1. PANEL VERTICAL AND HORIZONTAL JOINT SPACING SHOULD BE 3/8" TYPICAL.
2. SUBSTRATE TO BE 16ga G90 GALVANIZED STEEL (MAX LENGTH 12') OR 12ga 6063 T5/T6 MILL FINISH OR ANODIZED ALUMINUM (MAX LENGTH 10').
3. SUBSTRATE SURFACE TO RECEIVE ADHESIVE MUST NOT BE PAINTED.



SCALE: 6"=1'-0"

EASTERN ARCHITECTURAL PRODUCTS, LLC.



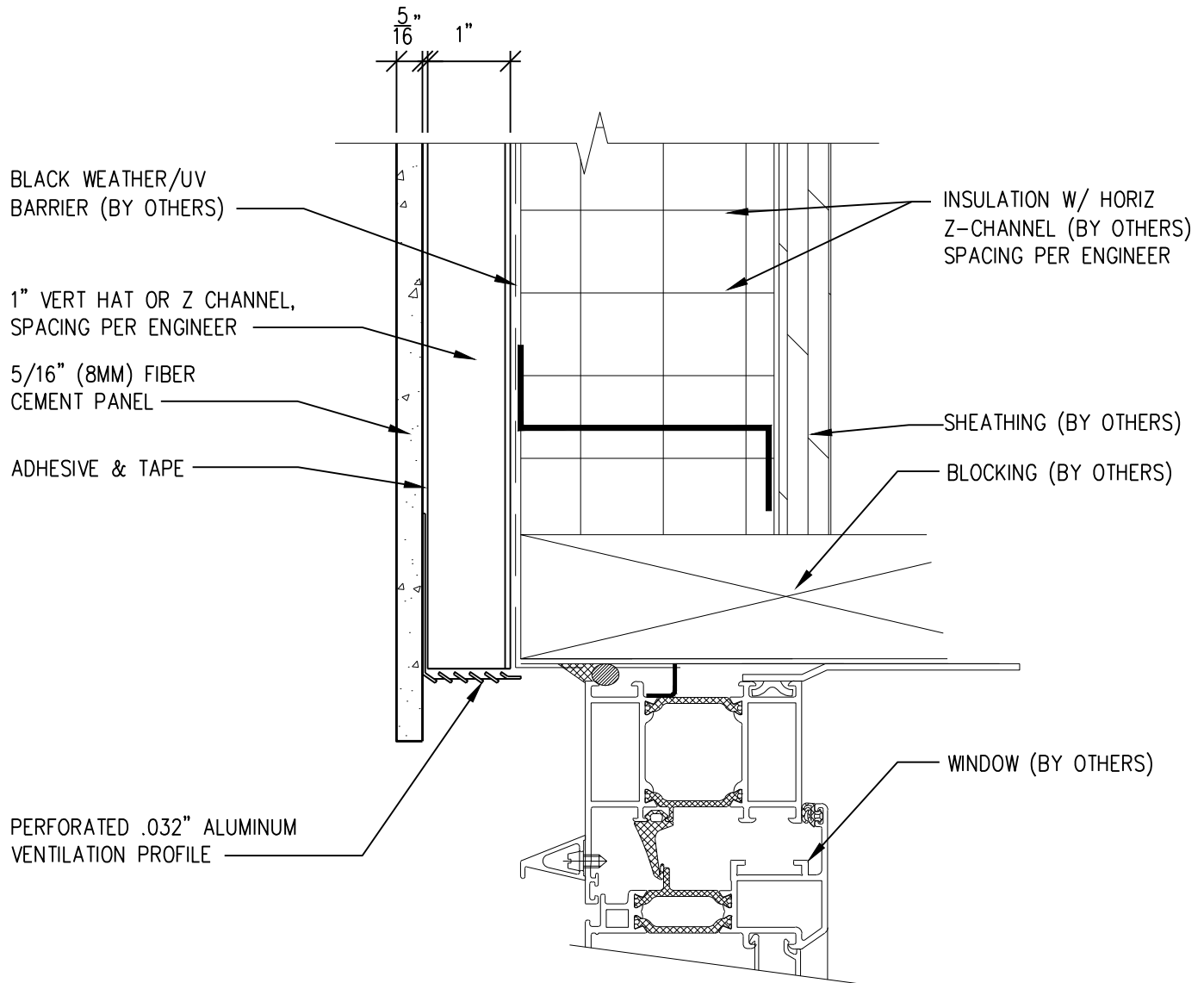
213 Front Street - Zelienople, PA - 16063
 1-(888) 5-PANELS FAX: 1-(717) 939-4646
 www.fibercementproducts.com

Ref.:

Typical Coping
 Panel Detail

Date: 11/03/2014 revised

Concealed Fastening with Adhesive



NOTES:

1. PANEL VERTICAL AND HORIZONTAL JOINT SPACING SHOULD BE 3/8" TYPICAL.
2. SUBSTRATE TO BE 16ga G90 GALVANIZED STEEL (MAX LENGTH 12') OR 12ga 6063 T5/T6 MILL FINISH OR ANODIZED ALUMINUM (MAX LENGTH 10').
3. SUBSTRATE SURFACE TO RECEIVE ADHESIVE MUST NOT BE PAINTED.



SCALE: 6"=1'-0"

EASTERN ARCHITECTURAL PRODUCTS, LLC.



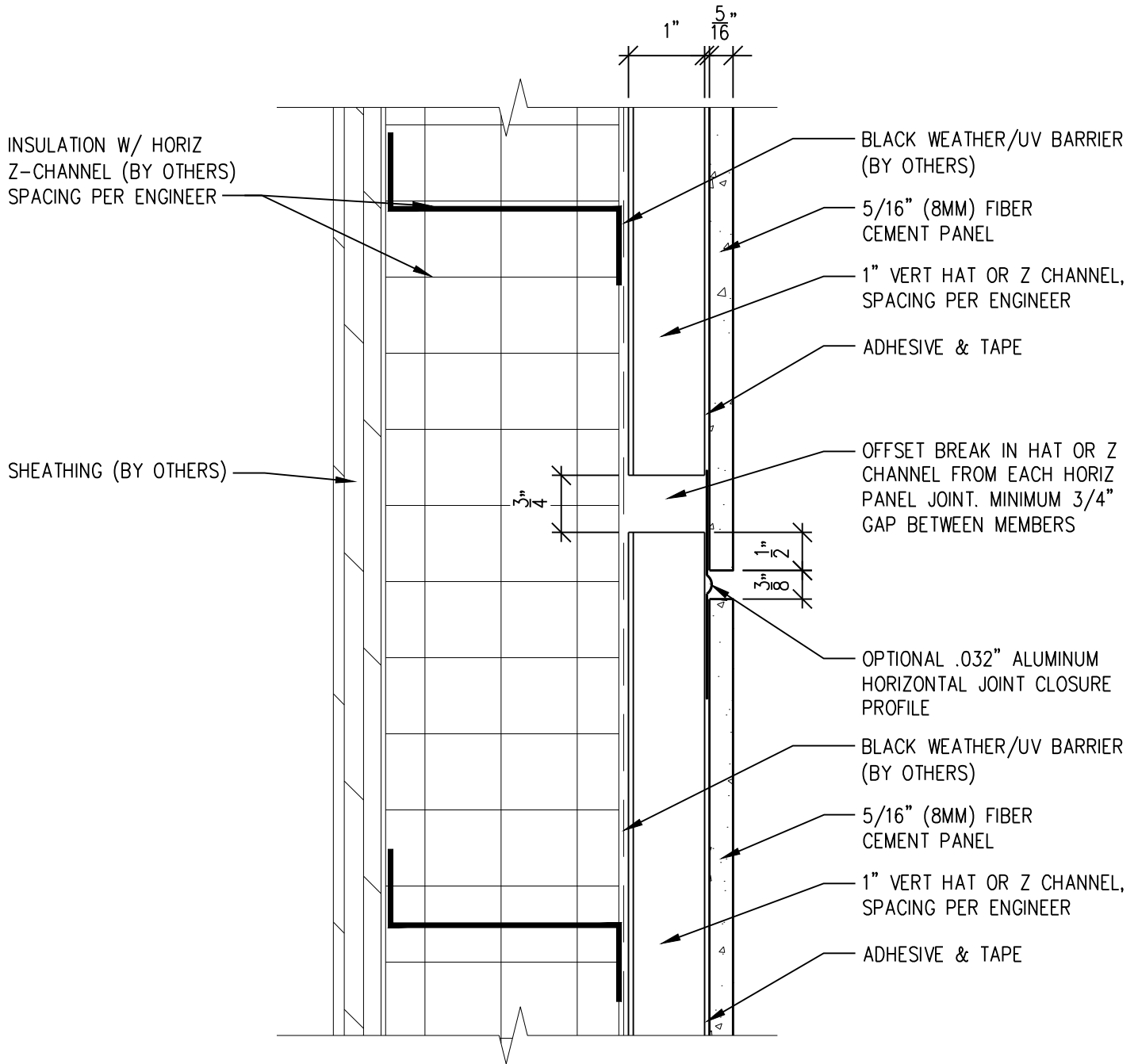
213 Front Street - Zelienople, PA - 16063
 1-(888) 5-PANELS FAX: 1-(717) 939-4646
www.fibercementproducts.com

Ref.:

Typical Window Head Detail

Date: 11/03/2014 revised

Concealed Fastening with Adhesive



NOTES:

1. PANEL VERTICAL AND HORIZONTAL JOINT SPACING SHOULD BE 3/8" TYPICAL.
2. SUBSTRATE TO BE 16ga G90 GALVANIZED STEEL (MAX LENGTH 12') OR 12ga 6063 T5/T6 MILL FINISH OR ANODIZED ALUMINUM (MAX LENGTH 10').
3. SUBSTRATE SURFACE TO RECEIVE ADHESIVE MUST NOT BE PAINTED.



SCALE: 6"=1'-0"

EASTERN ARCHITECTURAL PRODUCTS, LLC.



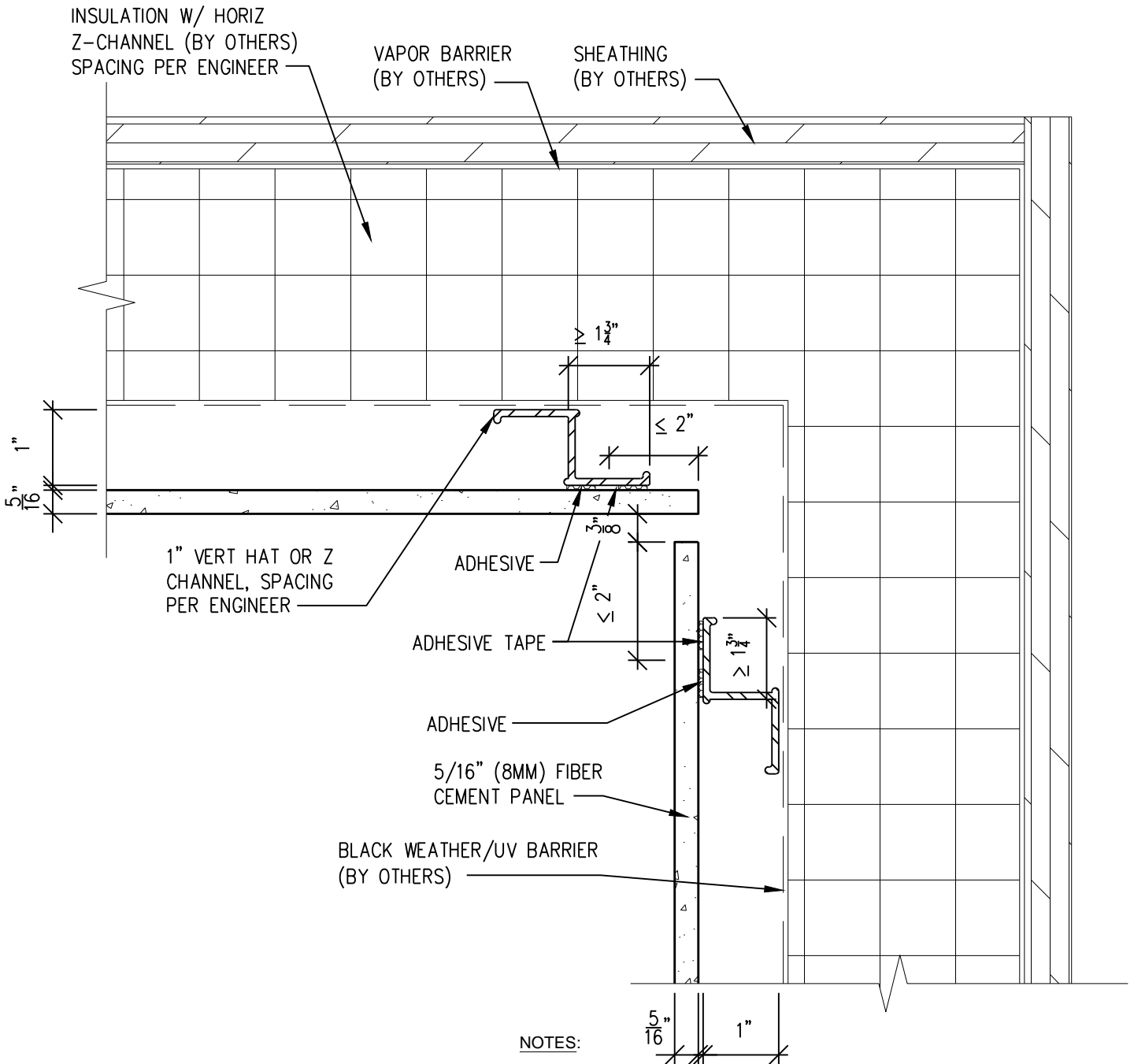
213 Front Street - Zelienople, PA - 16063
 1-(888) 5-PANELS FAX: 1-(717) 939-4646
 www.fibercementproducts.com

Ref.:

Typical Horizontal
 Panel Joint Detail

Date: 11/03/2014 revised

Concealed Fastening with Adhesive



1. PANEL VERTICAL AND HORIZONTAL JOINT SPACING SHOULD BE 3/8" TYPICAL.
2. SUBSTRATE TO BE 16ga G90 GALVANIZED STEEL (MAX LENGTH 12') OR 12ga 6063 T5/T6 MILL FINISH OR ANODIZED ALUMINUM (MAX LENGTH 10').
3. SUBSTRATE SURFACE TO RECEIVE ADHESIVE MUST NOT BE PAINTED.

EASTERN ARCHITECTURAL PRODUCTS, LLC.

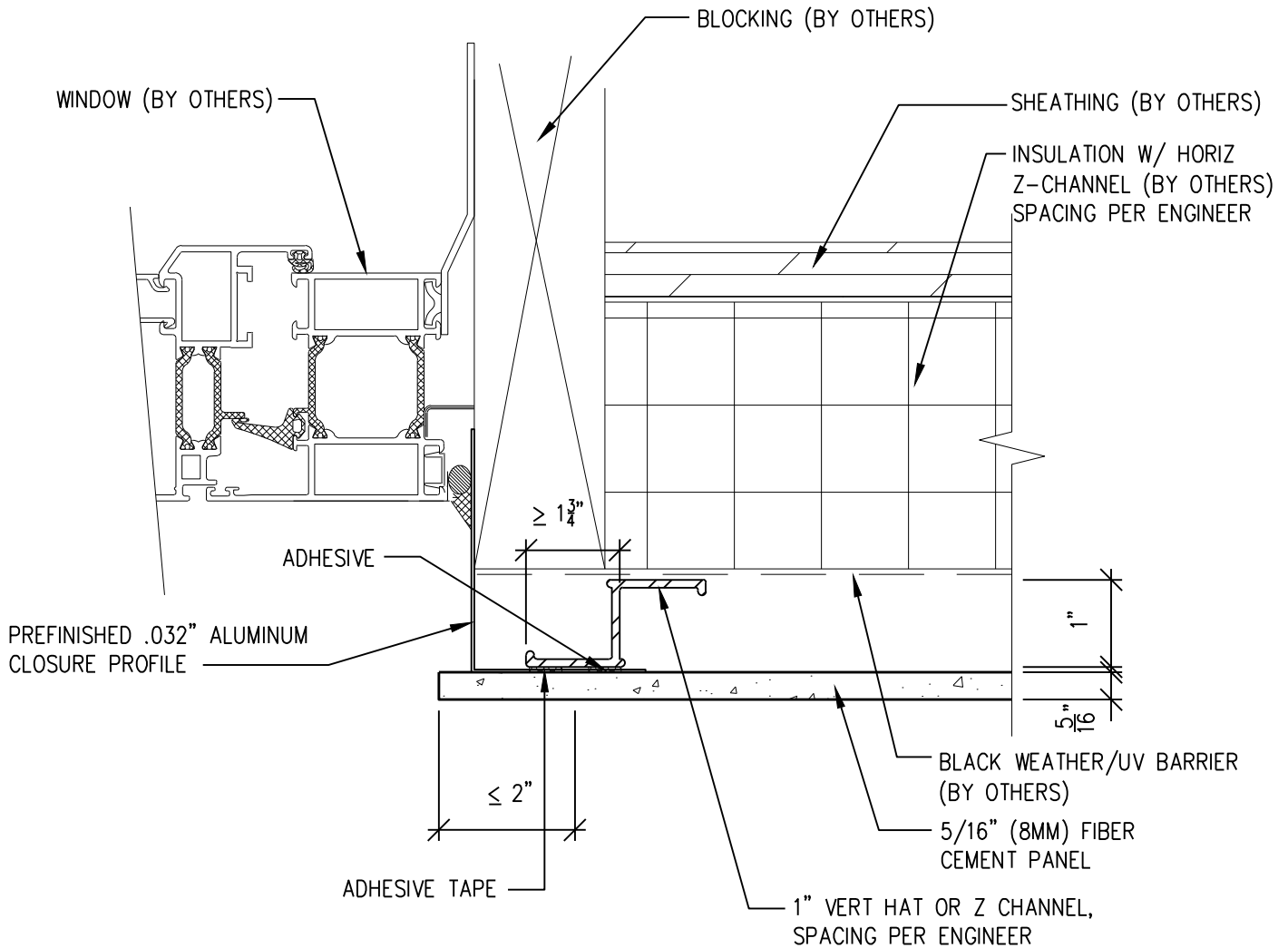
Ref.:
Typical Inside
Corner Detail



213 Front Street - Zelienople, PA - 16063
1-(888) 5-PANELS FAX: 1-(717) 939-4646
www.fibercementproducts.com

Date: 11/03/2014 revised

Concealed Fastening with Adhesive



NOTES:

1. PANEL VERTICAL AND HORIZONTAL JOINT SPACING SHOULD BE 3/8" TYPICAL.
2. SUBSTRATE TO BE 16ga G90 GALVANIZED STEEL (MAX LENGTH 12') OR 12ga 6063 T5/T6 MILL FINISH OR ANODIZED ALUMINUM (MAX LENGTH 10').
3. SUBSTRATE SURFACE TO RECEIVE ADHESIVE MUST NOT BE PAINTED.



SCALE: 6"=1'-0"

EASTERN ARCHITECTURAL PRODUCTS, LLC.



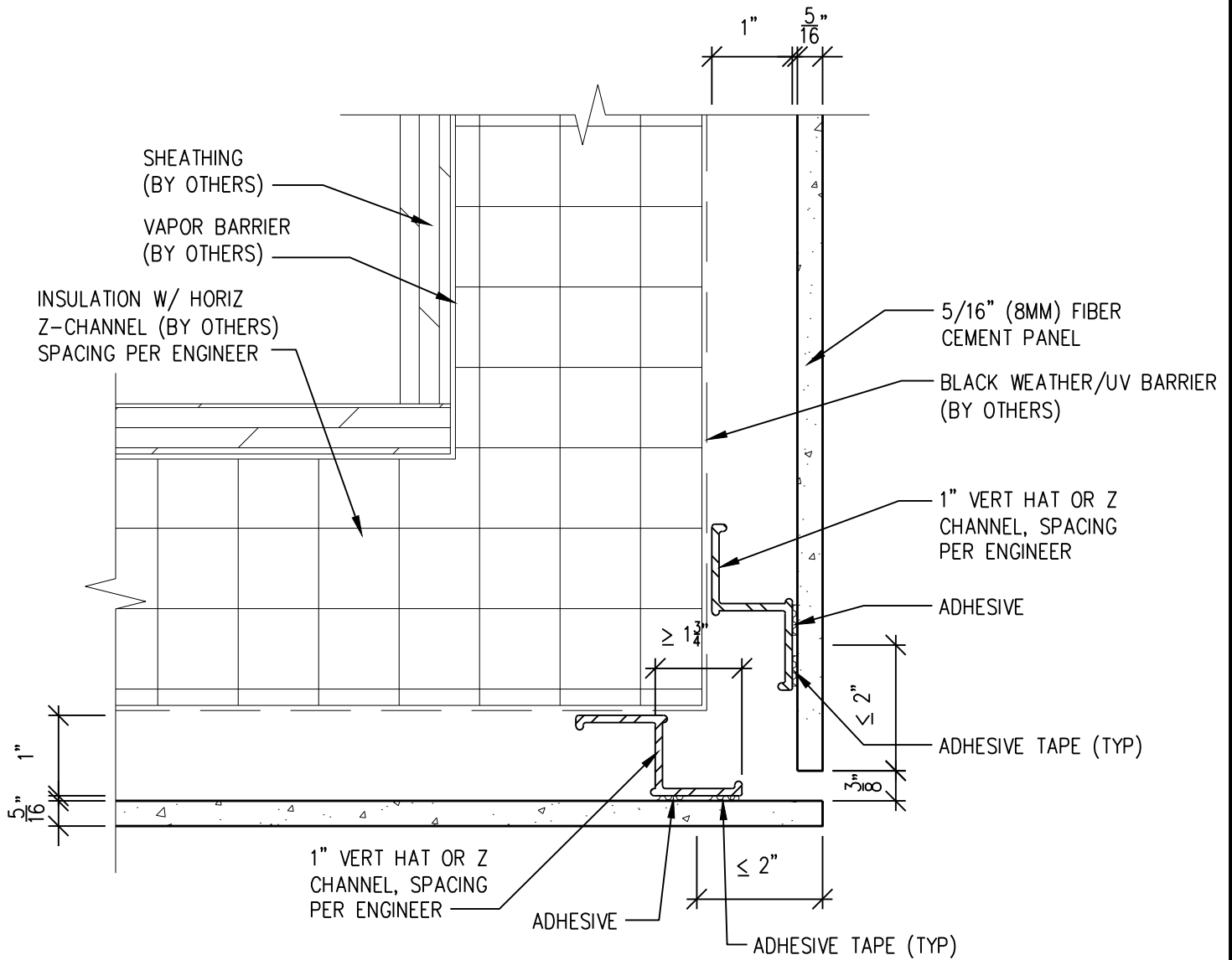
213 Front Street - Zelienople, PA - 16063
 1-(888) 5-PANELS FAX: 1-(717) 939-4646
 www.fibercementproducts.com

Ref.:

Typical Window
 Jamb Detail

Date: 11/03/2014 revised

Concealed Fastening with Adhesive



NOTES:

1. PANEL VERTICAL AND HORIZONTAL JOINT SPACING SHOULD BE 3/8" TYPICAL.
2. SUBSTRATE TO BE 16ga G90 GALVANIZED STEEL (MAX LENGTH 12') OR 12ga 6063 T5/T6 MILL FINISH OR ANODIZED ALUMINUM (MAX LENGTH 10').
3. SUBSTRATE SURFACE TO RECEIVE ADHESIVE MUST NOT BE PAINTED.



SCALE: 6" = 1'-0"

EASTERN ARCHITECTURAL PRODUCTS, LLC.



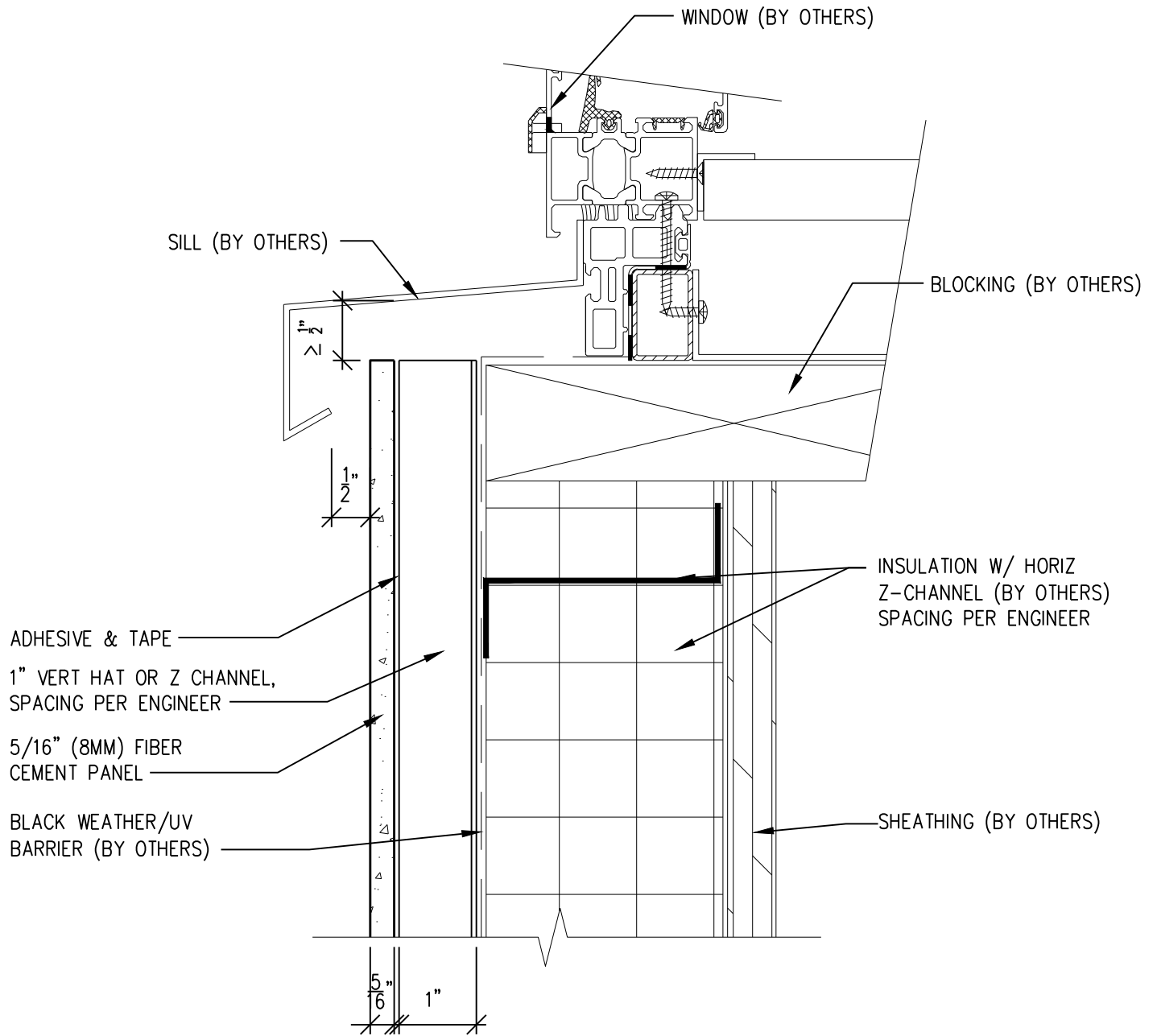
213 Front Street - Zelienople, PA - 16063
 1-(888) 5-PANELS FAX: 1-(717) 939-4646
 www.fibercementproducts.com

Ref.:

Typical Outside
 Corner Detail

Date: 11/03/2014 revised

Concealed Fastening with Adhesive



NOTES:

1. PANEL VERTICAL AND HORIZONTAL JOINT SPACING SHOULD BE 3/8" TYPICAL.
2. SUBSTRATE TO BE 16ga G90 GALVANIZED STEEL (MAX LENGTH 12') OR 12ga 6063 T5/T6 MILL FINISH OR ANODIZED ALUMINUM (MAX LENGTH 10').
3. SUBSTRATE SURFACE TO RECEIVE ADHESIVE MUST NOT BE PAINTED.



SCALE: 6"=1'-0"

EASTERN ARCHITECTURAL PRODUCTS, LLC.



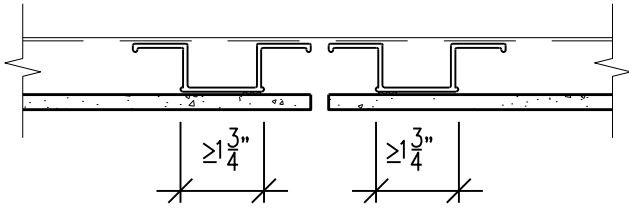
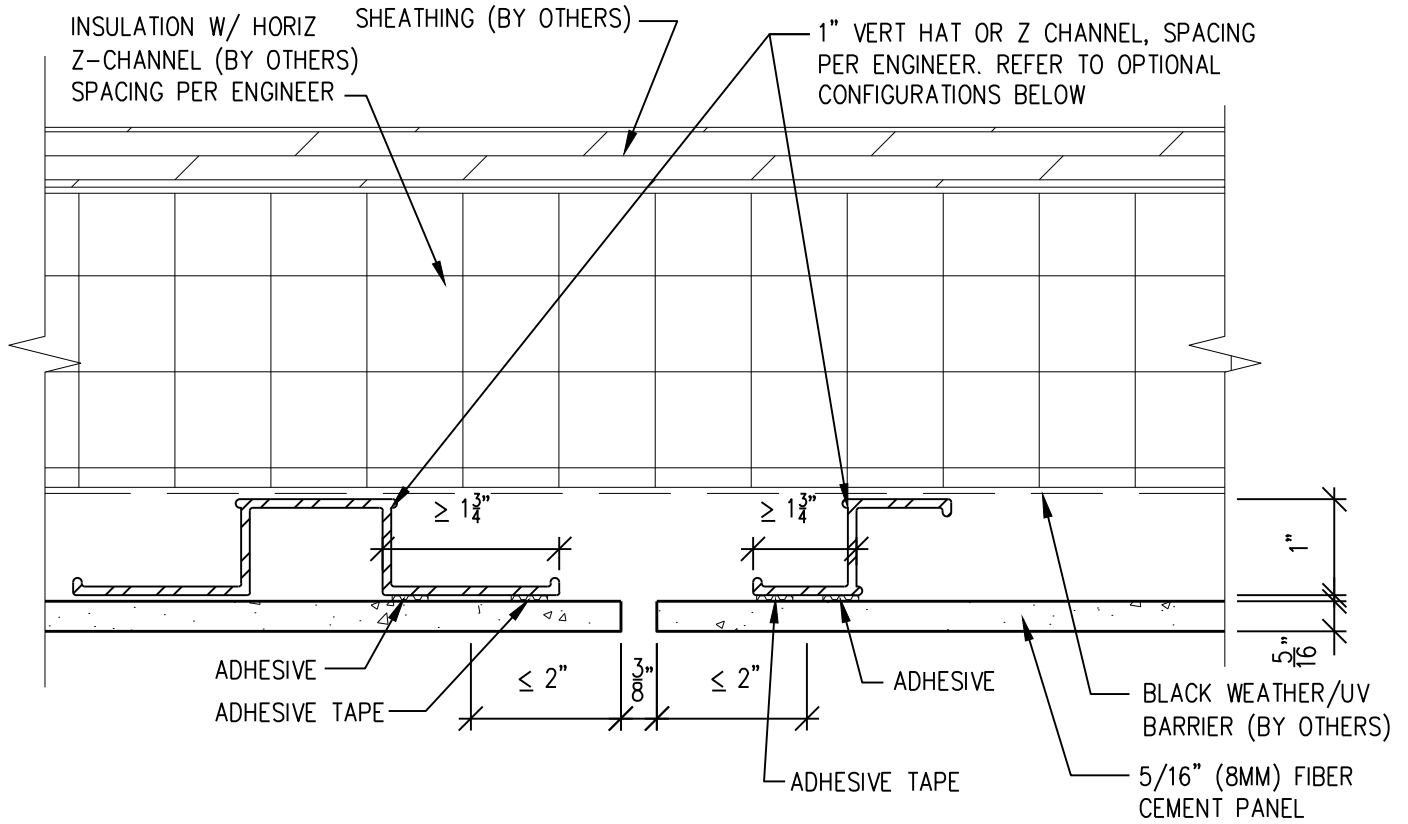
213 Front Street - Zelienople, PA - 16063
 1-(888) 5-PANELS FAX: 1-(717) 939-4646
 www.fibercementproducts.com

Ref.:

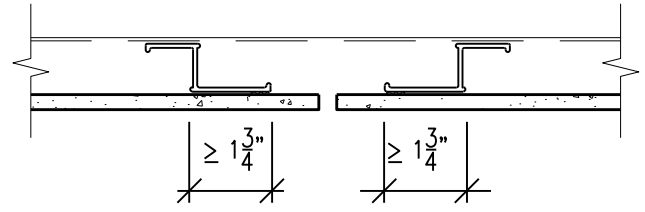
Typical Window
Sill Detail

Date: 11/03/2014 revised

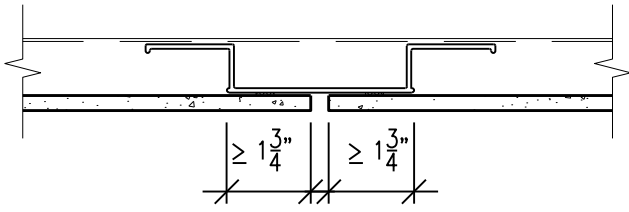
Concealed Fastening with Adhesive



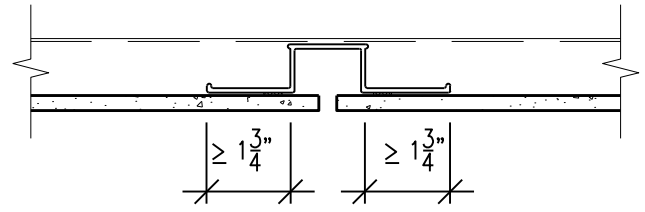
OPTION #1



OPTION #2



OPTION #3



OPTION #4

NOTES:

1. PANEL VERTICAL AND HORIZONTAL JOINT SPACING SHOULD BE 3/8" TYPICAL.
2. SUBSTRATE TO BE 16ga G90 GALVANIZED STEEL (MAX LENGTH 12') OR 12ga 6063 T5/T6 MILL FINISH OR ANODIZED ALUMINUM (MAX LENGTH 10').
3. SUBSTRATE SURFACE TO RECEIVE ADHESIVE MUST NOT BE PAINTED.

0 1" 2" 3" 4" 5" 6"



SCALE: 6"=1'-0"

EASTERN ARCHITECTURAL PRODUCTS, LLC.



213 Front Street - Zelienople, PA - 16063
 1-(888) 5-PANELS FAX: 1-(717) 939-4646
 www.fibercementproducts.com

Ref.:

Typical Vertical
 Panel Joint Detail

Date: 11/03/2014 revised