

Ceilings & Walls LightFrame®

Description

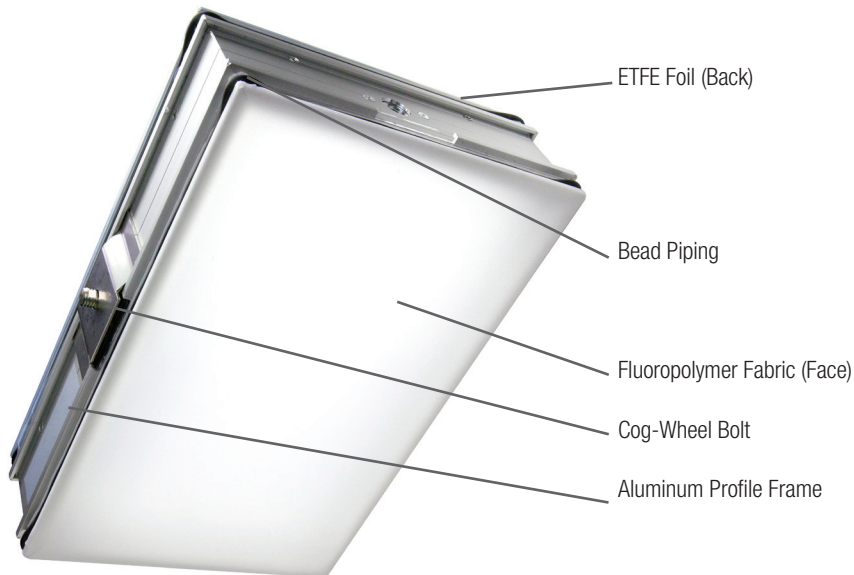
LightFrame is a translucent fabric ceiling and wall system that provides accessible panels with light transmission rates up to 85% and NRC values up to 0.7. The precision monofilament fabric optimizes artificial and natural light transfusion without color shift, giving an even illumination. Extremely narrow seams and an elliptic profile ensure illuminated surfaces are practically shadow-free.

Unique finishing and coating techniques ensure UV durability without fading, while the materials remain extremely tough and long-lasting.

Panels

LightFrame consists of single panel elements. These elements can be installed as single, butt jointed, or in reveal installations. All LightFrame systems are developed to meet the specifications of the individual project requirements. This includes the selection of fabric and foil combinations. All fabric and foils are attached to the LightFrame utilizing bead piping. To optimize technical acoustic properties of the elements a translucent or opaque ETFE-foil – or a second layer of SEFAR fabric can be attached to the reverse side of the frame if desired.

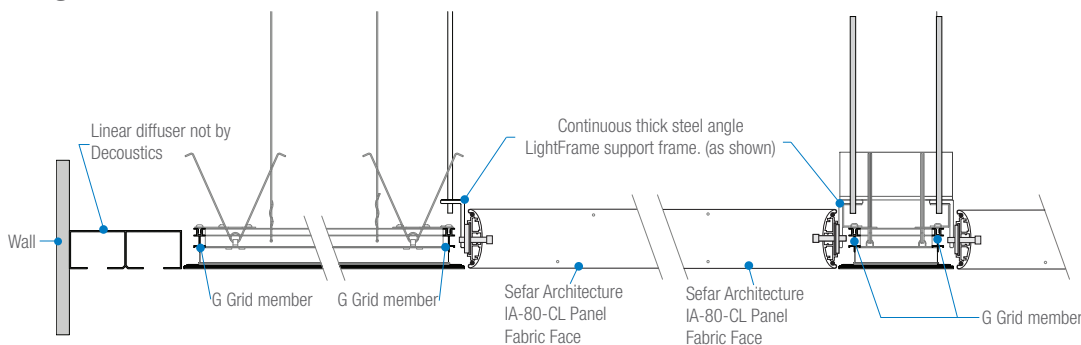
All panels are manufactured to project specific dimensions. The optimal panel width is 1.5m (5ft) and optimal length is 3m (10ft). The optimal panel size may be limited by fabric width and accessibility to the project site.



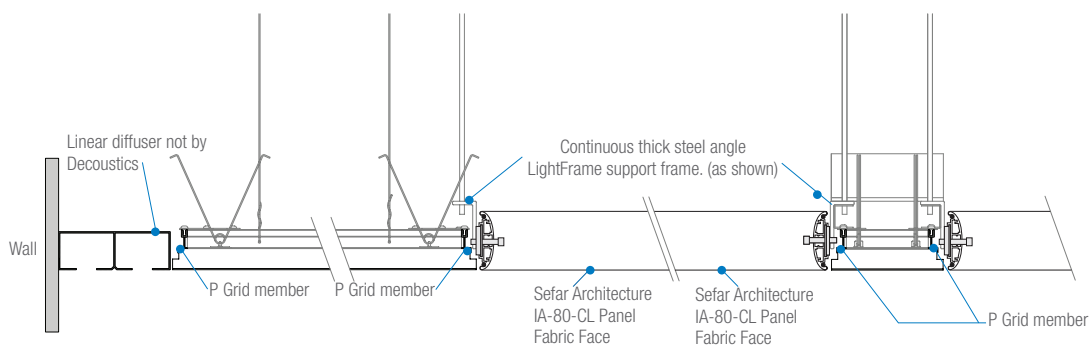
Incorporating LightFrame and Ceilencio Suspension Systems

The Decoustics LightFrame can easily be integrated with the Ceilencio suspension system.

LightFrame to Claro Panel Detail



LightFrame to Quadrillo Panel Detail



Ceilings & Walls

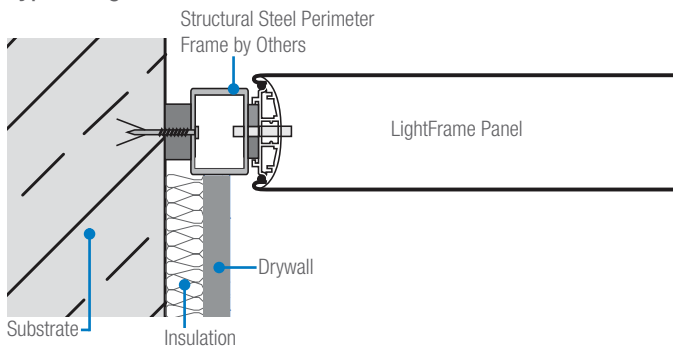
LightFrame®

Perimeter

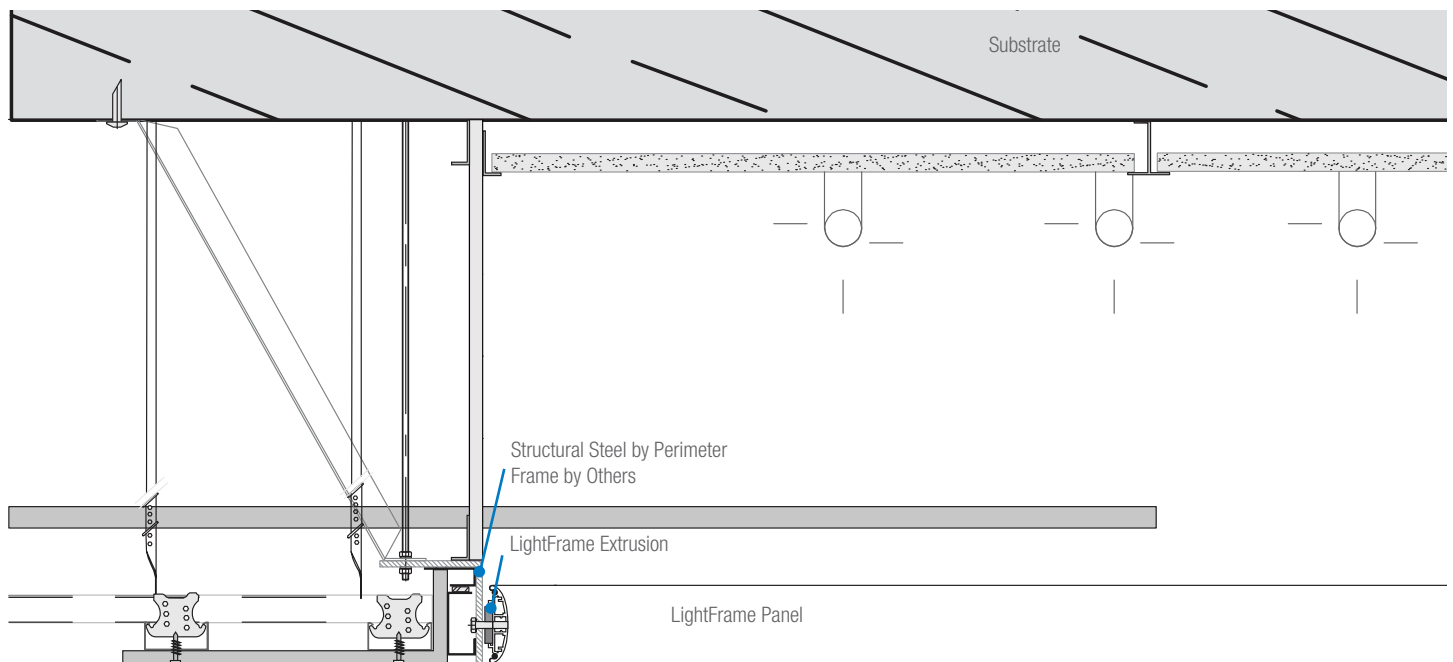
The installation of LightFrame panels requires that the ceiling openings incorporate a structural perimeter frame which must be structurally sufficient to maintain the trueness of the ceiling opening when the LightFrame panels are installed. The perimeter frame must be engineered, manufactured, and installed on site (by others) and meet all pertinent engineering structural and code requirements. The structural opening must conform to the requirements of the LightFrame ceiling design incorporating pre threaded mounting points that coordinate with the LightFrame, and must be finished in a coating that will prevent the metal from rust and corrosion.

Typical materials to construct the perimeter frame include: structural steel shapes (consisting of angles, square tube channels, S and W shapes), aluminum tubular profiles (including square and rectangular shapes) and engineered wood structures (such as Parallam® and wood I beams) in circumstances where fire rating is not a concern.

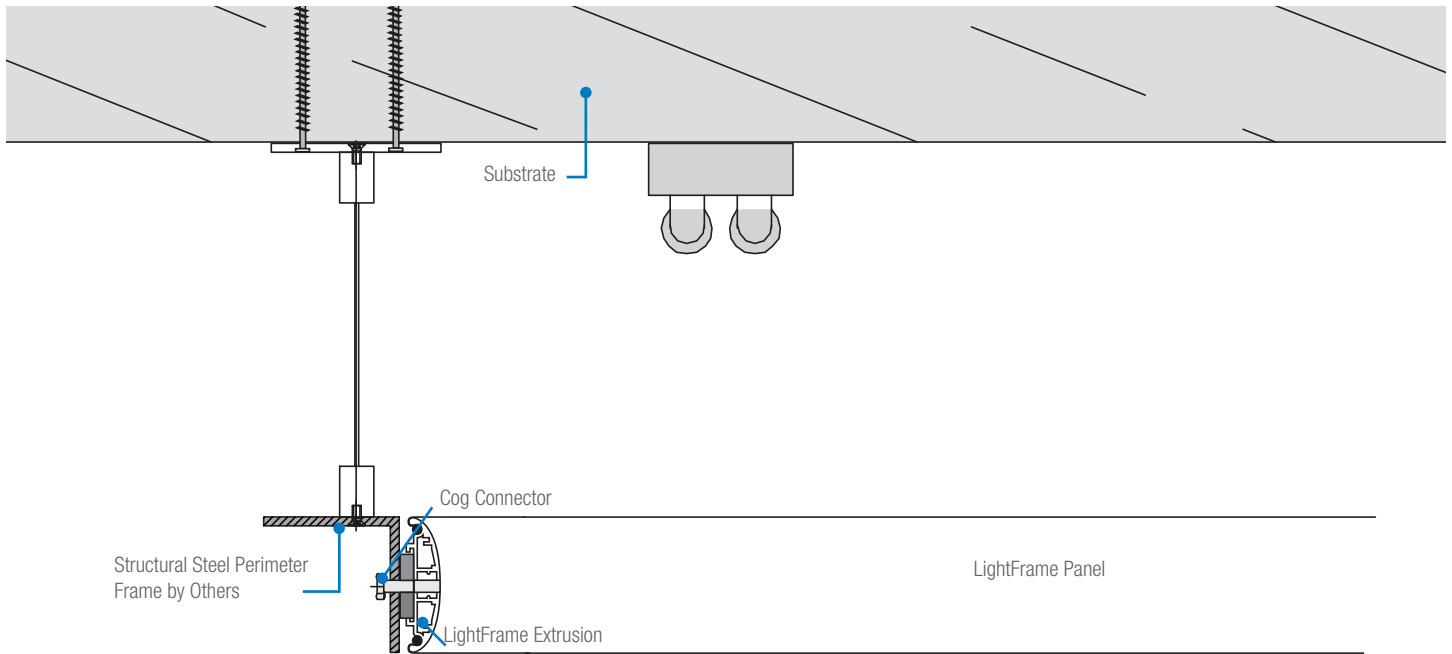
Typical LightFrame Structural Detail at Wall



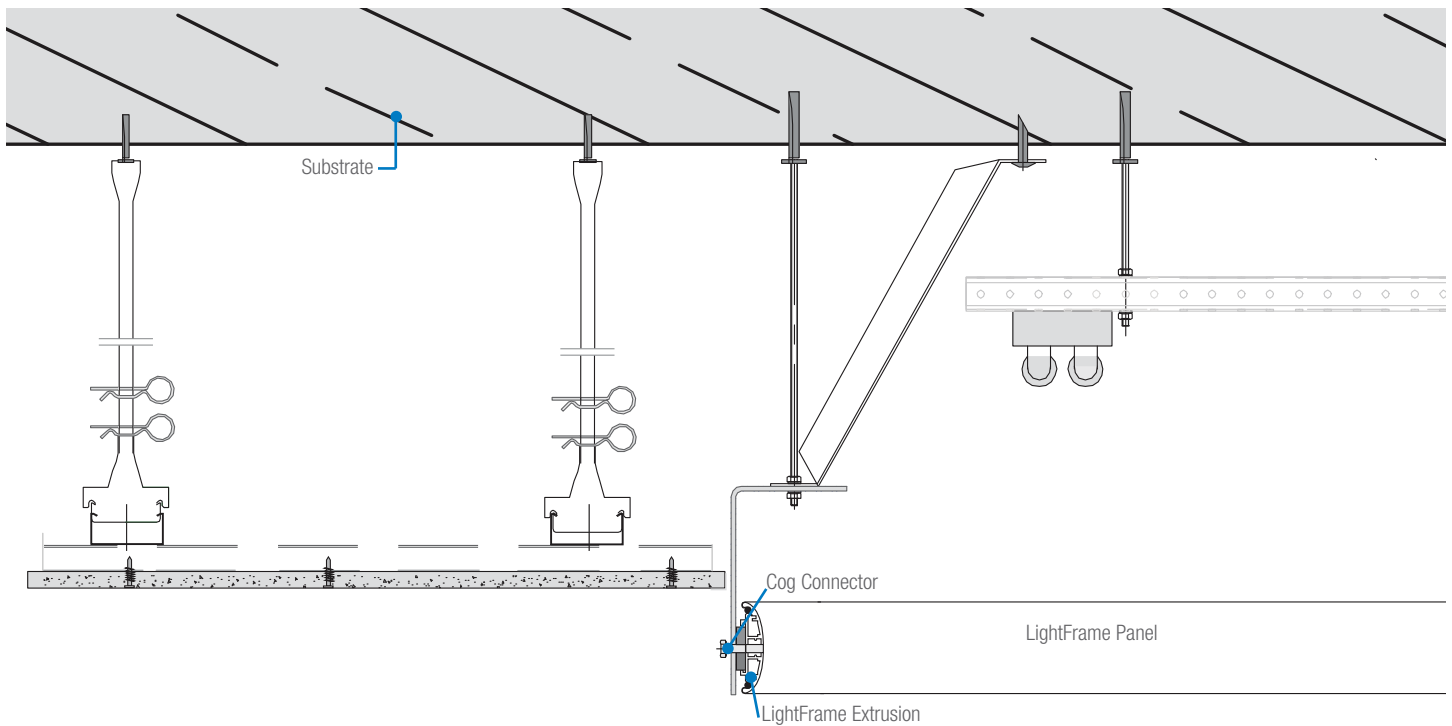
Typical LightFrame Recessed Light Detail



Typical LightFrame Cloud Installation Detail



Typical LightFrame Floating Installation Detail



Note: The information provided in this Data Sheet is accurate to the best of our knowledge at the time of printing. However, we reserve the right to make changes when necessary without further notification. Suggested applications may need to be modified to conform with local building codes and conditions. We cannot accept responsibility for products that are not used, or installed, to our specifications. Please refer to our website for most current data.

Note: Only handle panels wearing clean, lightweight, white gloves during installation. Follow manufacturer's printed instructions for installation as well as field cutting of panels.



Decoustics Limited
61 Royal Group Crescent
Woodbridge, Ontario L4H 1X9 Canada

www.Decoustics.com

Phone: 905-652-5200
Toll Free: 800-387-3809

© 01/13 Decoustics Limited

