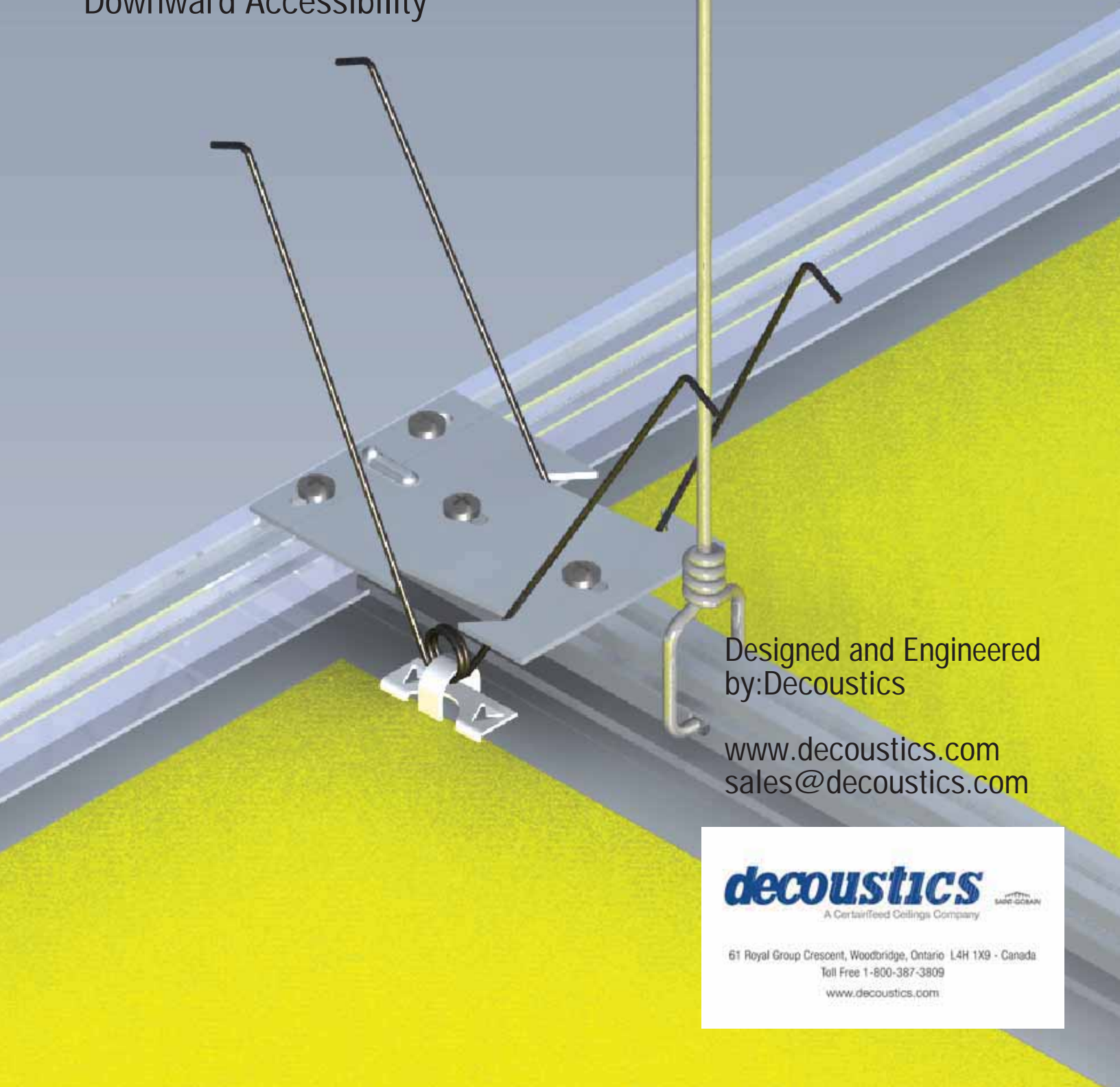


# Ceilencio Custom Ceiling System

Ceiling System

## Ceilencio Custom

Typical Panel Details featuring Individual Panel  
Downward Accessibility



Designed and Engineered  
by:Decoustics

[www.decoustics.com](http://www.decoustics.com)  
[sales@decoustics.com](mailto:sales@decoustics.com)

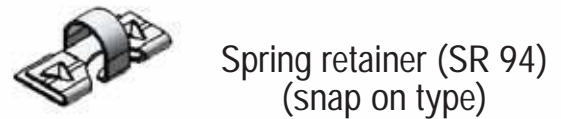
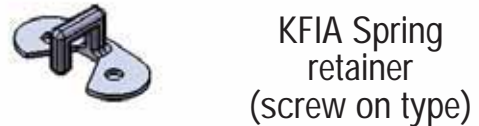
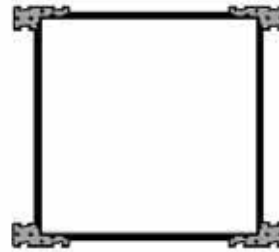
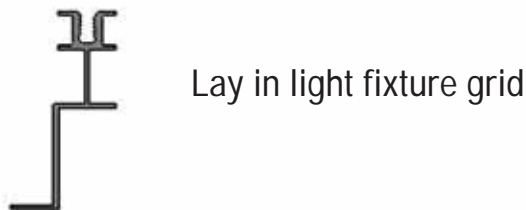
**decoustics**  
A CertainTeed Ceilings Company

61 Royal Group Crescent, Woodbridge, Ontario L4H 1X9 - Canada  
Toll Free 1-800-387-3809  
[www.decoustics.com](http://www.decoustics.com)

# Ceilencio Custom Suspension Installation Instructions

1. Prior to installation please check and verify that all required components have been received. Using the attached drawings identify all components received.

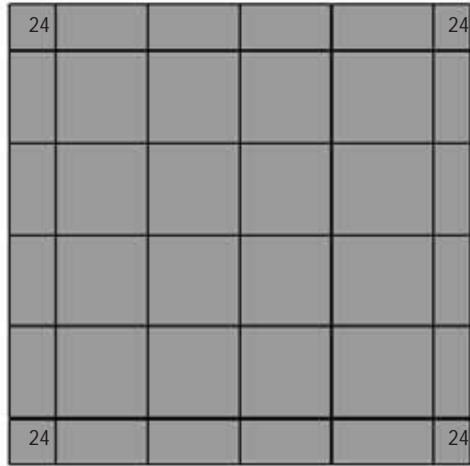
2. Check and verify the quantities of components received against the quantities required for the project.



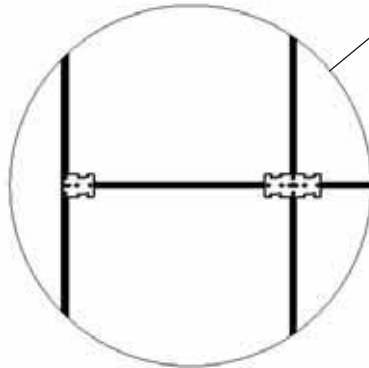
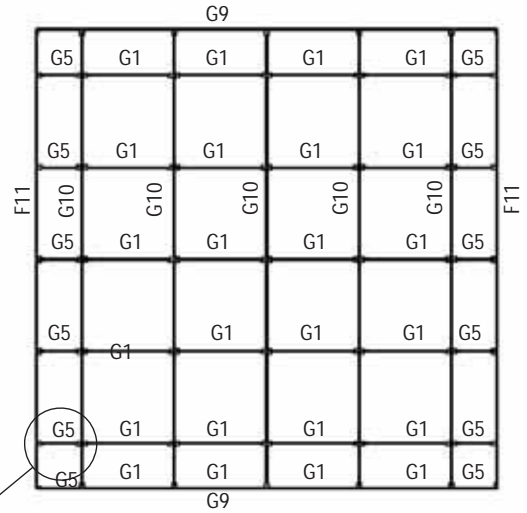
61 Royal Group Crescent, Woodbridge, Ontario L4H 1X9 - Canada  
Toll Free 1-800-387-3809  
www.decoustics.com

### 3. Review installation drawings (grid Layout and Panel Layout)

(Panel Layout)



Ceiling Grid Location  
(Reflected Plan)



### Grid Layout Considerations

Note - Grid layout shown is typical for panel sizes up to 48" x 48" x 1 1/8" (1220mm x 1220mm x 29mm) thick. For panels exceeding 48" (1220mm), or greater than 1 1/8" (29mm) thick, additional grid cross members, butterflies, and springs will be required. For wood panels and special acoustic panel types (ei. REF, STC, etc.), grid, butterflies, and springs will be spaced nominally on 24" (610mm) centers. Please contact Decoustics for any project specific questions that you may have.

### Legend



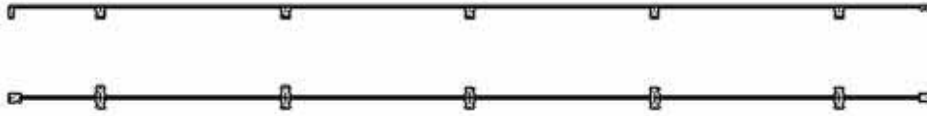
24 Panel Item Number

**decoustics**  
A CertainTeed Ceilings Company

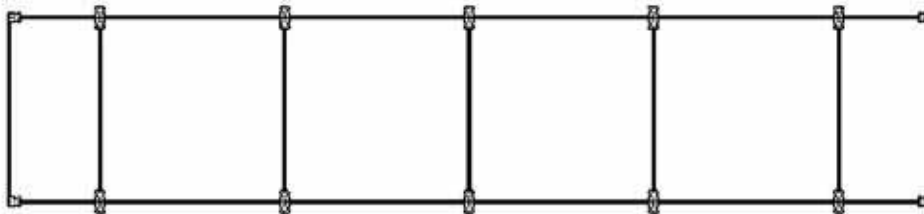
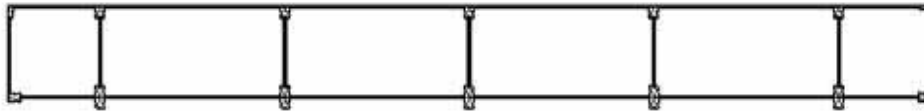
61 Royal Group Crescent, Woodbridge, Ontario L4H 1X9 - Canada  
Toll Free 1-800-387-3809  
www.decoustics.com

# Ceilencio Custom Installation Instructions

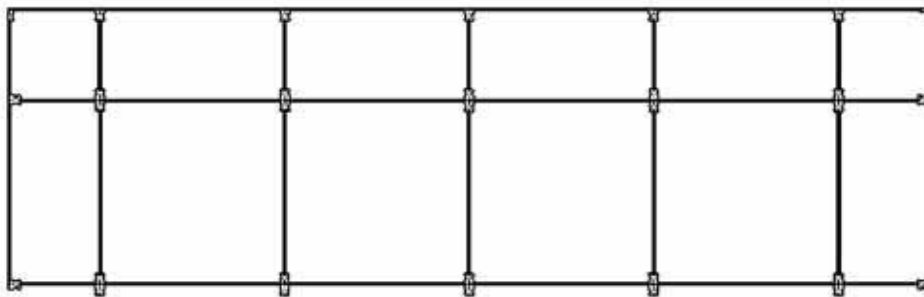
## Grid Assembly Process



4. Layout grid and butterfly components on the floor or other level surface, accurately locate and attach the butterflies (hump up) to the long grid members using the #10-3/8" type A screws. Ensure that the orientation of butterflies matches the project drawings. Attach all splice plates as required using tek screws.



5. Assemble pairs or sections of grid into "Ladders" using the shorter grid members.



6. Hang the assembled "ladders" in their final ceiling locations. It is best to handle workable sizes and fasten these members in place by fastening to existing butterflies. (refer to grid layout drawing - sheet 2 in this example)

**decoustics**  
A CertainTeed Ceilings Company

61 Royal Group Crescent, Woodbridge, Ontario L4H 1X9 - Canada

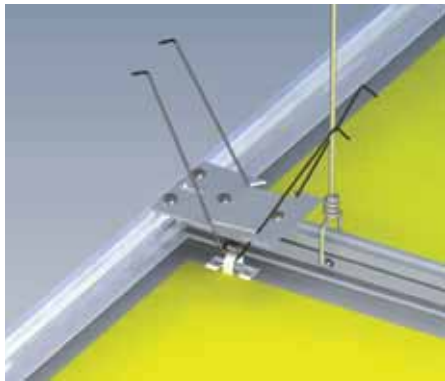
Toll Free 1-800-387-3809

[www.decoustics.com](http://www.decoustics.com)

# Ceilencio Custom Installation Instructions



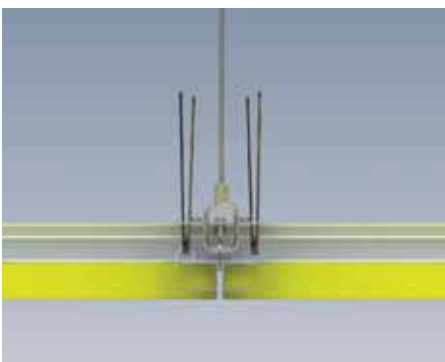
7. Insert torsion spring into retainer clip. The spring is now attached and cannot fall out of the retainer. (Note: The KIFA spring retainer does not require closing).



- 8a. Locate the spring retainer torsion spring assembly to the interior back edge of the ceiling panel with the centre of the spring receiver aligned with the butterfly.



- b. Using a pair of channel lock pliers, or similar, "snap" the spring retainer onto the aluminum panel edge.



9. When installing the ceiling panels engage springs into the butterflies. When all springs on a panel are engaged push the panel up to secure.

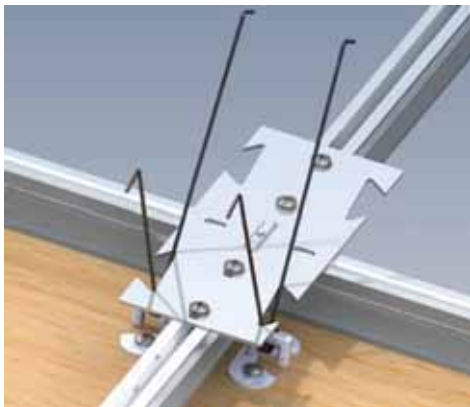
**decoustics** SAINT-GOBAIN  
A CertainTeed Ceilings Company

61 Royal Group Crescent, Woodbridge, Ontario L4H 1X9 - Canada  
Toll Free 1-800-387-3809  
[www.decoustics.com](http://www.decoustics.com)

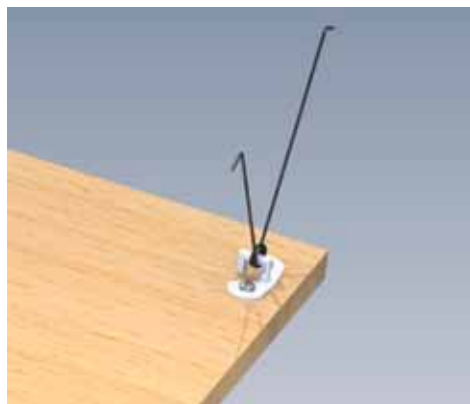
## Ceilencio Custom Installation Instructions (Wood Product KIFA Spring Retainer)



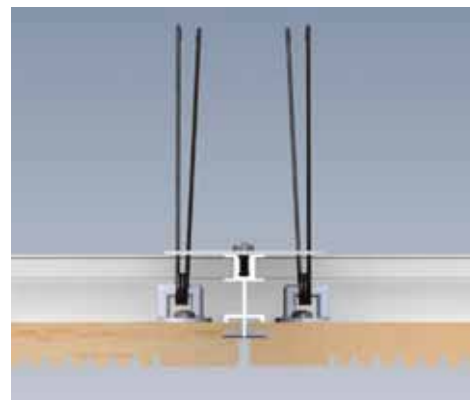
10. Insert torsion spring into KIFA spring retainer. (Note: The KIFA spring retainer does not require closing).



11a. Locate the spring retainer torsion spring assembly on the interior back face of the wood ceiling panel with the centre of the spring receiver aligned with the butterfly.



b. Screw the KIFA spring retainer to the rear face of the wood panel product. Make sure to use the #8 x 3/8" tapping screws.

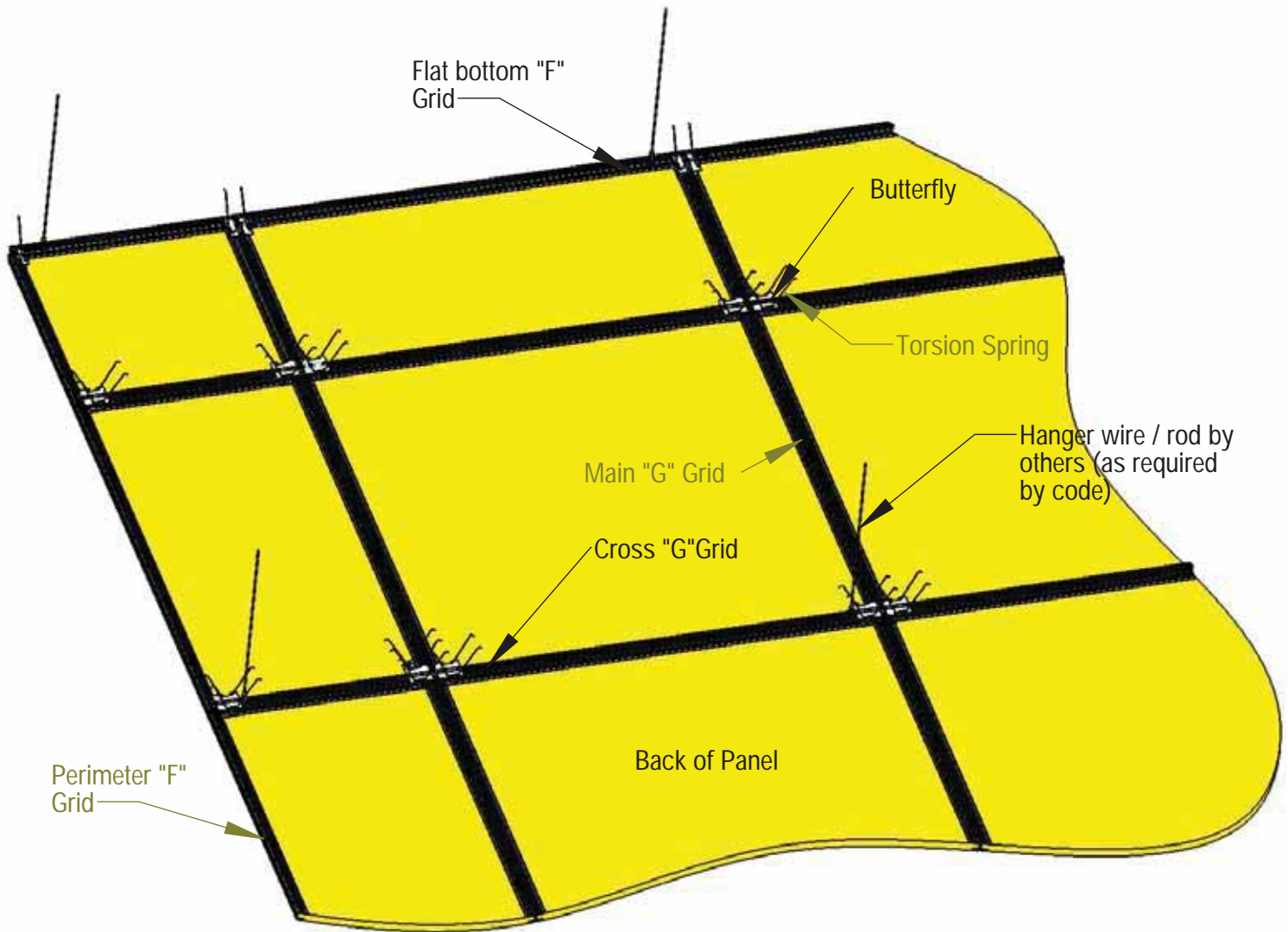


12. When installing the ceiling panels engage springs into the butterflies. When all springs on a panel are engaged push the panel up to secure.

**decoustics**  
A CertainFeed Ceilings Company

61 Royal Group Crescent, Woodbridge, Ontario L4H 1X9 - Canada  
Toll Free 1-800-387-3809  
[www.decoustics.com](http://www.decoustics.com)

# Ceilencio Custom Suspension Installation

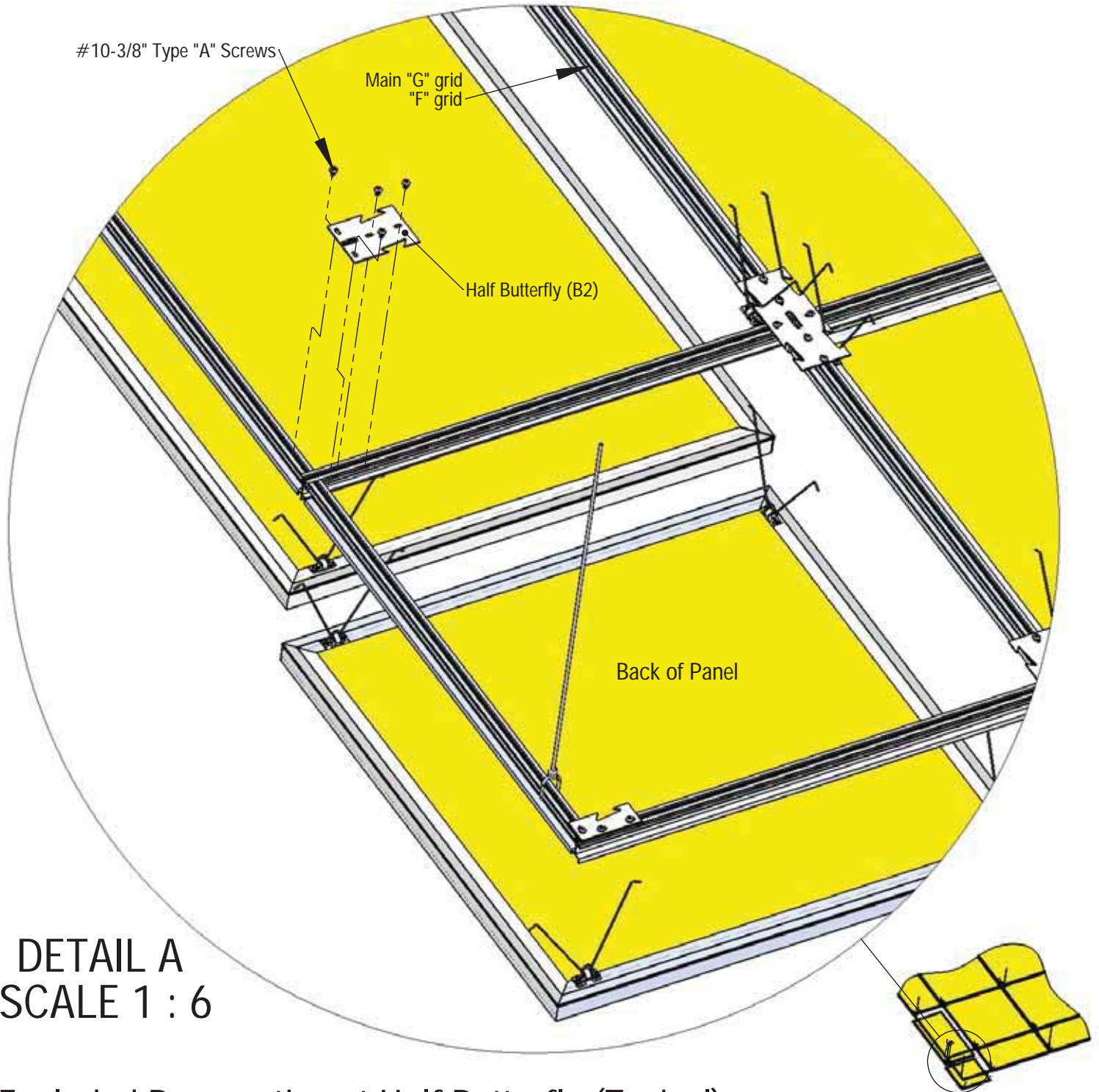


Perspective View - Back of Ceiling Assembly to Plenum Shown

**decoustics** SAINT-GOBAIN  
A CertainTeed Ceilings Company

61 Royal Group Crescent, Woodbridge, Ontario L4H 1X9 - Canada  
Toll Free 1-800-367-3809  
[www.decoustics.com](http://www.decoustics.com)

# Ceilencio Custom Suspension Installation



DETAIL A  
SCALE 1 : 6

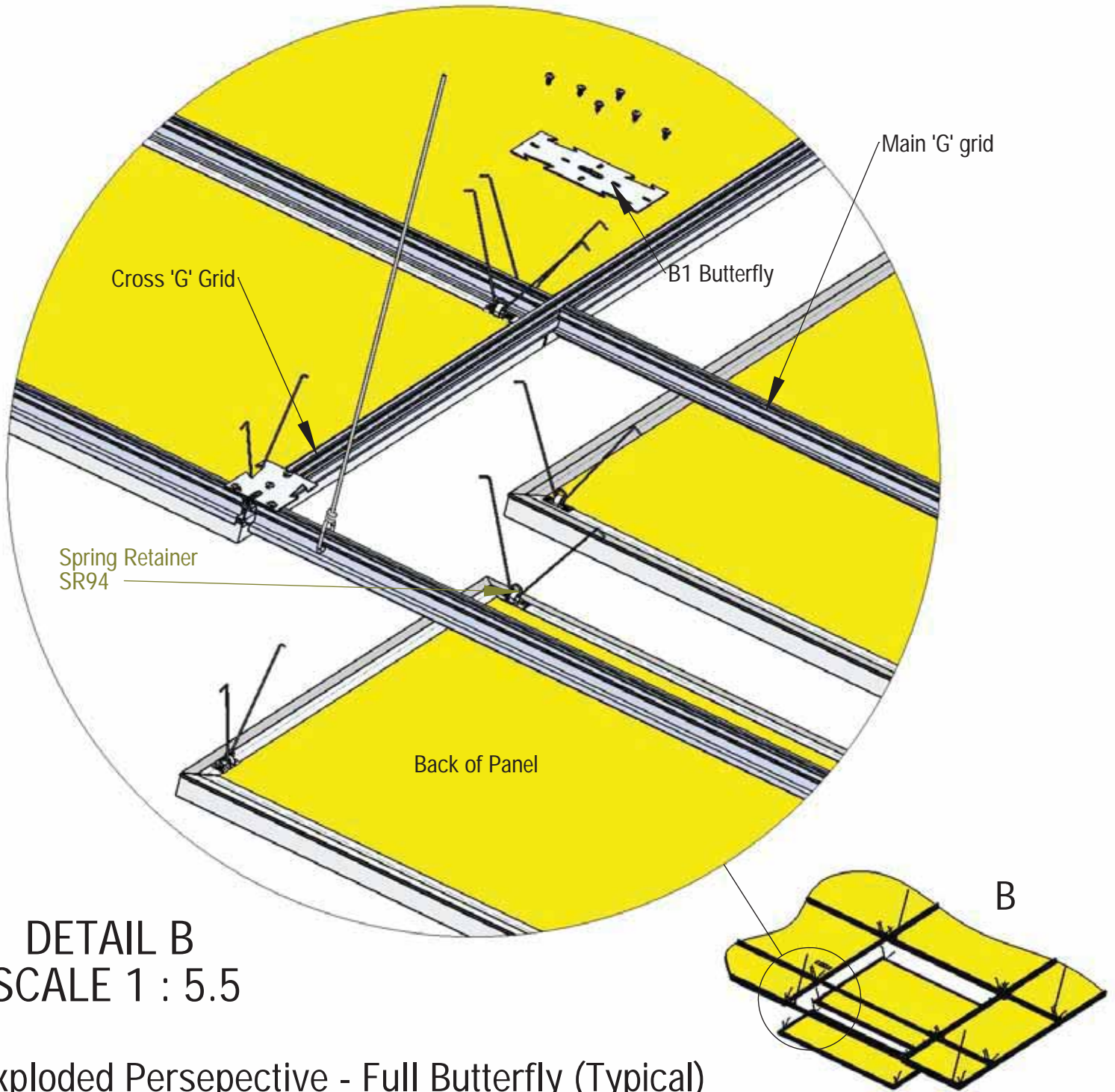
- Exploded Perspective at Half Butterfly (Typical)

**decoustics**  
A CertainTeed Ceilings Company

61 Royal Group Crescent, Woodbridge, Ontario L4H 1X9 - Canada  
Toll Free 1-800-387-3809  
www.decoustics.com



# Ceilencio Custom Suspension Installation



DETAIL B  
SCALE 1 : 5.5

- Exploded Persepective - Full Butterfly (Typical)

**decoustics**  
A CertainTeed Ceilings Company

61 Royal Group Crescent, Woodbridge, Ontario L4H 1X9 - Canada  
Toll Free 1-800-387-3809  
www.decoustics.com